

Majora® 7242 Skirted Air Bath Bathtubs

Letter	Description	English	Metric
-	Drain Location	Left / Right Hand	Left / Right Hand
-	Blower Location	Opposite end of drain location	Opposite end of drain location
-	Cutout	N/A	N/A
-	Total Weight	1033 lb	469 kg
-	Floor Loading	49.2 lb/ft ²	241 kg/m ²
-	Operating Gallons (Min/Max)	42 Gal / 74 Gal	159 L / 280 L
-	Product Weight	108 lb	49 kg
L	Outer Length	72.00"	1829 mm
W	Outer Width	42.00"	1067 mm
H	Overall Height	19.75"	502 mm
A	Overflow Height	17.50"	445 mm
B	Long Edge to Drain Center	10.50"	267 mm
C	Short Edge to Drain Center	20.50"	521 mm
D	Drain Shoe Length	7.00"	178 mm
E	Flange Height	1.00"	25mm
F	Deck Width	1.00"	25 mm
G	Service Access Dimensions	See Illustration Below	See Illustration Below
I	Floor Cutout for Drain	12.00 x 4.00"	305 mm x 102 mm
J	Interior Dimensions: J(L) x J(W)	47.00" x 27.00"	1194 mm x 686 mm
-	Number of Injectors	34	34

NOTE

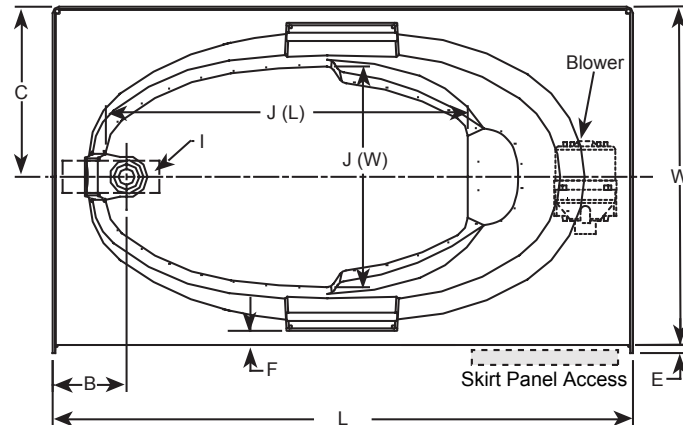
The overall dimensions are nominal with a tolerance of +0 and -.25" (6mm).
 Electrical Specifications
 (Each component requires a separate, dedicated GFCI protected circuit)

Blower

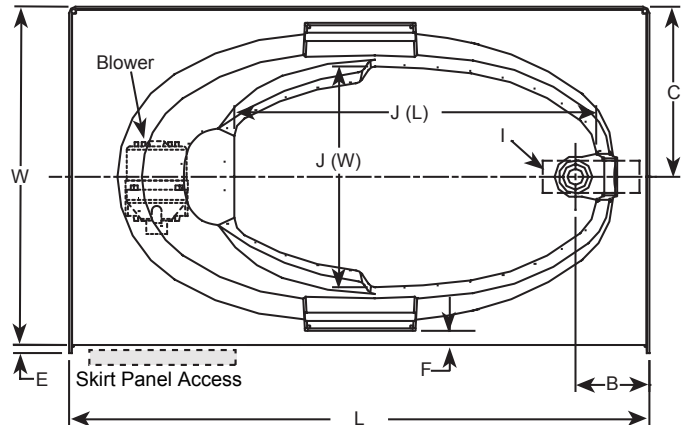
120V 15A 60HZ

Key Dimensions

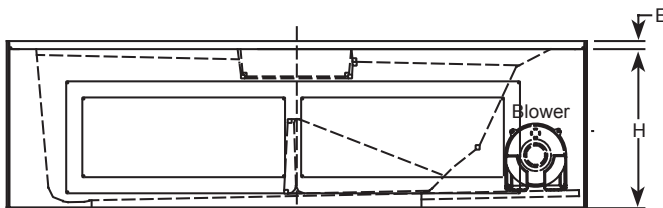
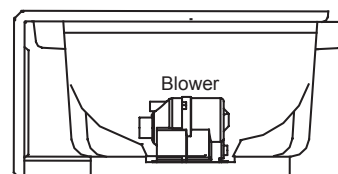
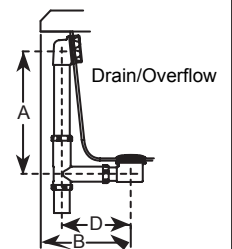
Left End Drain / Right End Blower



Right End Drain / Left End Blower



*Deck width reflects only area indicated on detail.


 Side View
 (LH Drain)

 End View
 (LH Drain)


NOTE: Drawings not to scale.