



Single Door Aluminum Cabinet

PART NUMBER

PD42000

MATERIAL

Aluminum

COLOURS AND FINISH

Silver Anodized

CODE COMPLIANCE

BS EN14749

PACKAGED DIMENSIONS H X W X D

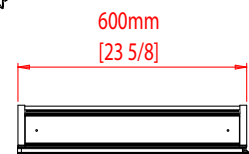
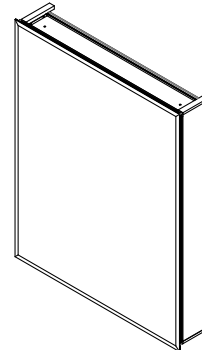
910mm (35 13/16") x 729mm (28 11/16") x 192mm (7 9/16")

ISTA 3A Packaging
(International Safe Transit Association)

Recommended Drill size 8mm

FEATURES

- Can be recessed or surface mounted
- Easy to install Hang 'N' Lock system
- Double sided mirror doors with bevel on front glass
- 165° Spring Hinge
- Mirror back panel
- 2 Adjustable toughened glass shelves
Shelf depth: 80mm (3 1/8")
- Mirror glass side panels for surface mounting
- Optional pin handles for doors



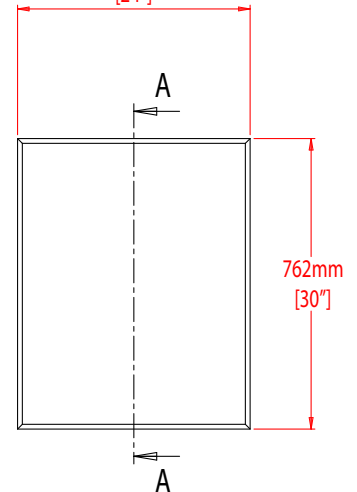
SURFACE MOUNTED
CABINET DEPTH
133mm [5 1/4"]



SECTION A-A

RECESS MOUNTING
ROUGH OPENING DEPTH
95mm [3 3/4"]

610mm
[24"]



INSTALLATION DIMENSIONS

Jacuzzi reserves the right to make changes in specifications and materials and to change and discontinue models, both without the notice or obligation. Dimensions are for reference only.