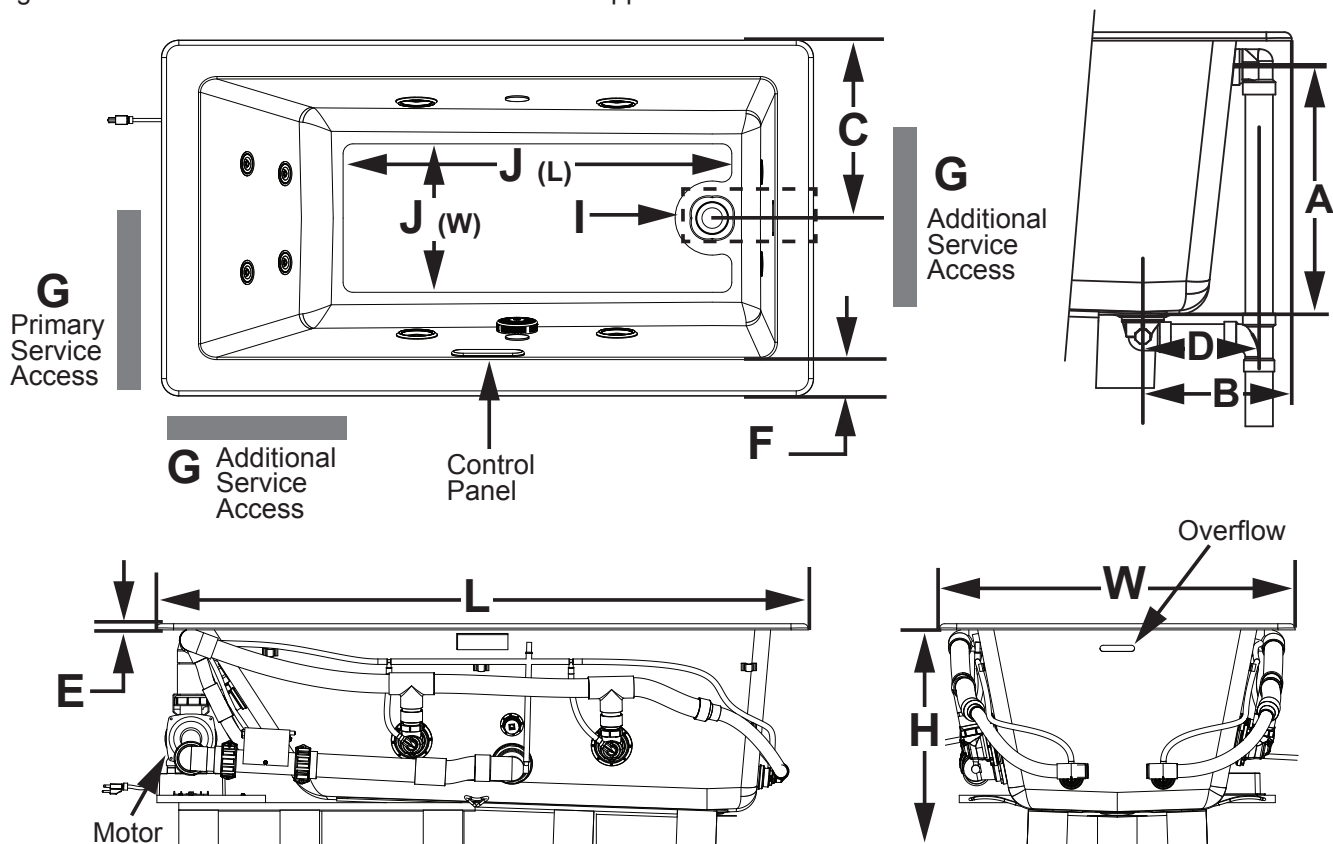


**Elara® Technical Specifications for 6636 (Low Profile)**

| Letter | Description                                | SOAKING  | PURE AIR® BATH                                 | WHIRLPOOL                                      | Each component requires a separate, dedicated GFCI protected circuit      |                              |          |
|--------|--|--|--|--|---|------------------------------|----------|
| -      | Drain/Blower/Motor Location                | LH/RH Drain                                    | LH/RH Drain/Right or Left Side Blower          | LH/RH Drain/Right or Left Side Motor           |   |                              |          |
| -      | Drop-in Cutout Dimensions (L x W)          | 64" x 34" (1626 mm x 864 mm)                   |  |  | Model with components   | GFCI Outlet (60Hz)           |          |
| -      | Total Weight                               | 1007 lbs (457 kg)                              | 1028 lbs (466 kg)                              | 1040 lbs (472 kg)                              | SOAKING   | Soaker only                  | None     |
| -      | Floor Loading                              | 61 lb/ft <sup>2</sup> (298 kg/m <sup>2</sup> ) | 62 lb/ft <sup>2</sup> (304 kg/m <sup>2</sup> ) | 63 lb/ft <sup>2</sup> (308 kg/m <sup>2</sup> ) |   | Soaker w/ Chromatherapy      | 120V/15A |
| -      | Product Weight                             | 77 lbs (35 kg)                                 | 98 lbs (44 kg)                                 | 110 lbs (50 kg)                                | PURE AIR® BATH  | Blower                       | 120V/15A |
| -      | Operating Gallons (Max)                    | 81 Gal (306.6 L)                               |  |  |   | Chromatherapy (if available) | 120V/15A |
| -      | Soaking Depth                              | 16.2" (411 mm)                                 |  |  | WHIRLPOOL   | Motor/Pump                   | 120V/20A |
| L      | Outer Length                               | 66" (1676 mm)                                  |  |  |   | Heater (if available*)       | 120V/15A |
| W      | Outer Width                                | 36" (914 mm)                                   |  |  | *Heater circuit not required on units equipped with Whisper+ Technology™. |                              |          |
| H      | Overall Height                             | 22.5" (572 mm)                                 |  |  |   |                              |          |
| A      | Overflow Height                            | 16.5" (419 mm)                                 |  |  |   |                              |          |
| B      | Long Edge to Drain Center                  | 10.3" (262 mm)                                 |  |  |   |                              |          |
| C      | Short Edge to Drain Center                 | 18" (457 mm)                                   |  |  |   |                              |          |
| D      | Drain Shoe Length                          | 8.25" (210 mm)                                 |  |  |   |                              |          |
| E      | Deck Height                                | 0.63" (16 mm)                                  |  |  |   |                              |          |
| F      | Deck Width                                 | 4" (102 mm)                                    |  |  |   |                              |          |
| G      | Service Access Dimensions                  | 12" x 18" (305 mm x 457 mm)                    |  |  |   |                              |          |
| I      | Floor Cutout for Drain                     | 12" x 6" (305 mm x 152 mm)                     |  |  |   |                              |          |
| J      | Interior Dimensions (bottom of bath) L x W | 46.5" x 22" (1181 mm x 559 mm)                 |  |  |   |                              |          |

**KEY DIMENSIONS\* [NOTE: The overall dimensions are nominal with a tolerance of +0 and -.25" (6mm).]**

\*Right hand model shown. Left hand model is exact opposite.



Refer to installation instructions included with fixture before beginning installation. Please confirm product availability and specifications before commencing with any installation work.

PRODUCT SPECIFICATIONS AND AVAILABILITY ARE SUBJECT TO CHANGE WITHOUT NOTICE