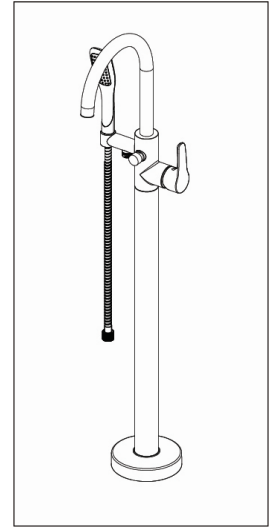


Inizio™ Technical Specifications

Freestanding Whirlpool Bath Model		
Letter	Description	English (Metric)
-	Drain/Motor Location	Center Drain
-	Cutout	N/A
-	Total Weight	940 lbs (430 kg)
-	Floor Loading	57.0 lb/ft ² (278.2 kg/m ²)
-	Operating Gallons (Min/Max)	48 Gal. (182 L Min.) 60 Gal. Max. (227 L Max.)
-	Product Weight	140 lbs (67 kg)
-	Soaking Depth	16" (406 mm)
L	Outer Length	65-1/2" (1664 mm)
W	Outer Width	35-5/8" (905 mm)
H	Overall Height	24" (610 mm)
A	Overflow Height	20" (508 mm)
B	Long Edge to Drain Center	32-3/4" (832 mm)
C	Short Edge to Drain Center	17-3/4" (451 mm)
D	Drain Shoe Length	12-3/4" (324 mm)
E	Flange Height	N/A
F	Deck Width	5" (127 mm)
G	Service Access Dimensions	N/A
I	Floor Cutout for Drain	6" x 18" (150 x 457 mm)
J	Interior Dimensions (W x L)	46" x 20-1/4" (1168 x 514 mm)
K	Skirt Base Dimensions: K(L) x K(W)	60" x 30" (1524 x 762 mm)
M	Backrest Angle	18°

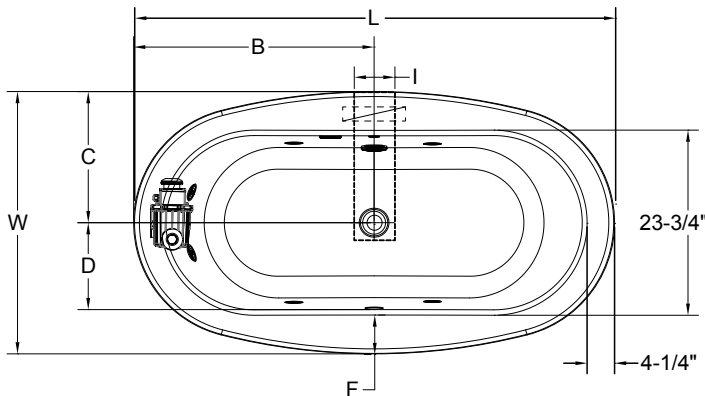
Tub/NW50 Filler Bundle Available

Tub Filler Finish	Bundle Part No.
Chrome	INB6636WCR1XPW
Brushed Nickel	INN6636WCR1XPW
Matte Black	INM6636WCR1XPW
Brushed Bronze	INZ6636WCR1XPW



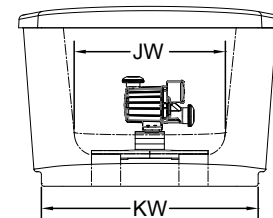
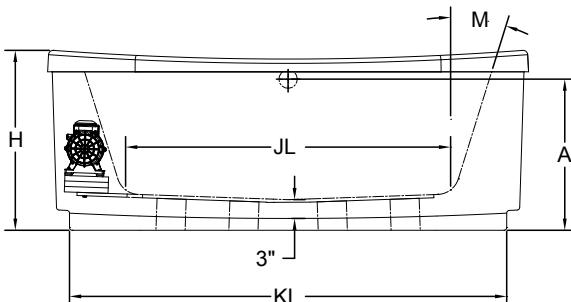
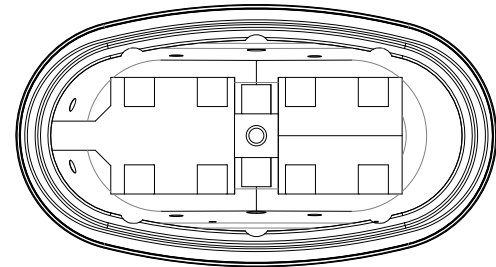
NW50 Tub Filler Faucet

Key Dimensions



NOTE

The overall dimensions are nominal with a tolerance of +0 and -.25" (6mm).
*Deck width reflects only area indicated on detail.



©2016 Jacuzzi Luxury Bath • For additional information call Customer Service 800-288-4002 • www.jacuzzi.com/baths/

Refer to installation instructions included with fixture before beginning installation. Please confirm product availability and specifications before commencing with any installation work.
PRODUCT SPECIFICATIONS AND AVAILABILITY ARE SUBJECT TO CHANGE WITHOUT NOTICE.