

# Inizio™ Technical Specifications

## Soaking Bath Model

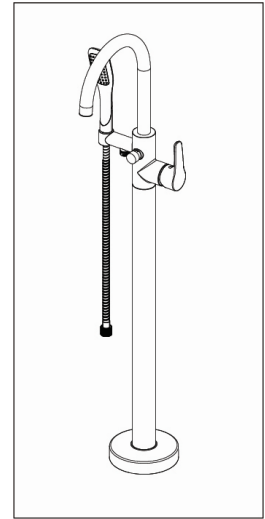
Letter	Description	
-	Drain/Motor Location	Center Drain
-	Cutout	N/A
-	Total Weight	922 lbs (418 kg)
-	Floor Loading	55.8 lb/ft <sup>2</sup> (272.4 kg/m <sup>2</sup> )
-	Operating Gallons (Min/Max)	60 Gal. (227 L) Max.
-	Product Weight	122 lbs (55 kg)
-	Soaking Depth	16" (406 mm)
L	Outer Length	65-1/2" (1664 mm)
W	Outer Width	35-5/8" (905 mm)
H	Overall Height	24" (610 mm)
A	Overflow Height	20" (508 mm)
B	Short Edge to Drain Center	32-3/4" (832 mm)
C	Long Edge to Drain Center	17-3/4" (451 mm)
D	Drain Shoe Length	12-3/4" (324 mm)
E	Flange Height	N/A
F	Deck Width	5" (127 mm)
G	Service Access Dimensions	N/A
I	Floor Cutout for Drain	6" x 18" (150 mm x 457 mm)
J	Interior Dimensions (W x L)	46" x 20-1/4" (1168 mm x 514 mm)
K	Skirt Base Dimensions: K(L) x K(W)	50 x 30" (1270 mm x 762 mm)
M	Backrest Angle	18°

### NOTE

The overall dimensions are nominal with a tolerance of +0 and -.25" (6mm).

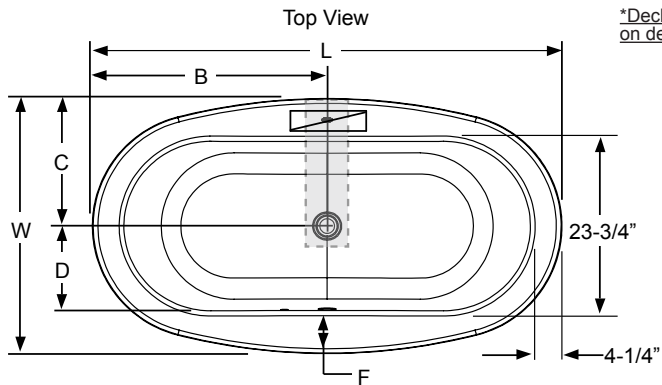
Tub/NW50 Filler Bundle Available

Tub Filler Finish	Bundle Part No.
Chrome	INB6636BCXXXW
Brushed Nickel	INN6636BCXXXW
Matte Black	INM6636BCXXXW
Brushed Bronze	INZ6636BCXXXW



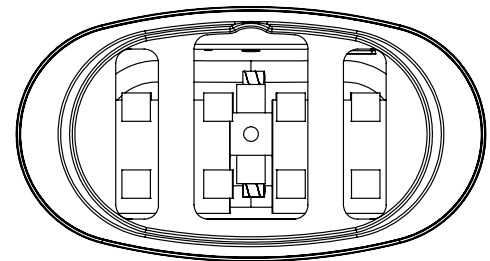
NW50 Tub Filler Faucet

## Key Dimensions

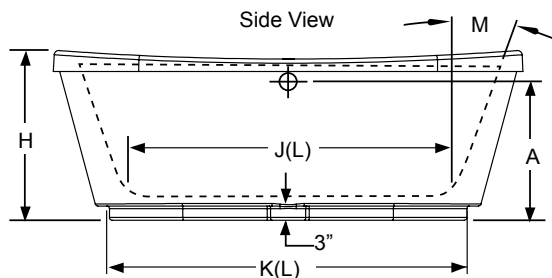


\*Deck width reflects only area indicated on detail.

Bottom View



Centerset faucet mounting area - MU66000 Low-profile  
Overflow Kit required for installation\*



End View

