

### Riva® 6638 Airbath Bathtub

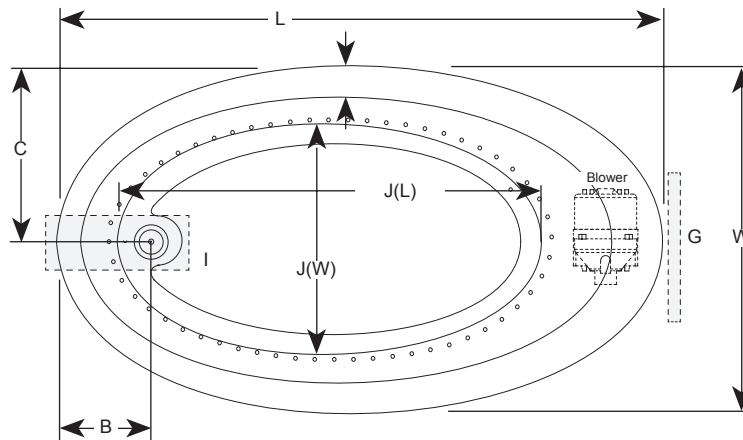
Letter	Description	English	Metric
-	Drain Location	Left Hand / Right Hand	
-	Blower Location	Opposite end of drain location	
-	Cutout	P/N FX40000	
-	Total Weight	766 lbs	347 kg
-	Floor Loading	44 lb/ft <sup>2</sup>	215 kg/ m <sup>2</sup>
-	Operating Gallons (Min/Max)	44 Gal / 56 Gal	167 L / 212 L
-	Product Weight	100 lbs	45 kg
L	Outer Length	66.00"	1676 mm
W	Outer Width	38.00"	965 mm
H	Overall Height	19.50"	495 mm
A	Overflow Height	17.50"	445 mm
B	Long Edge to Drain Center	9.50"	241 mm
C	Short Edge to Drain Center	19.00"	483 mm
D	Drain Shoe Length	6.75"	171 mm
E	Deck Height	2.00"	51 mm
F	Deck Width	3.00"	76 mm
G	Service Access Dimensions	12.00" x 18.00" (305 mm x 457 mm)	
I	Floor Cutout for Drain	12.00" x 4.00"	305 mm x 102 mm
J	Interior Dimensions (W x L)	25.00" x 45.00"	635 mm x 1143 mm

**NOTE**

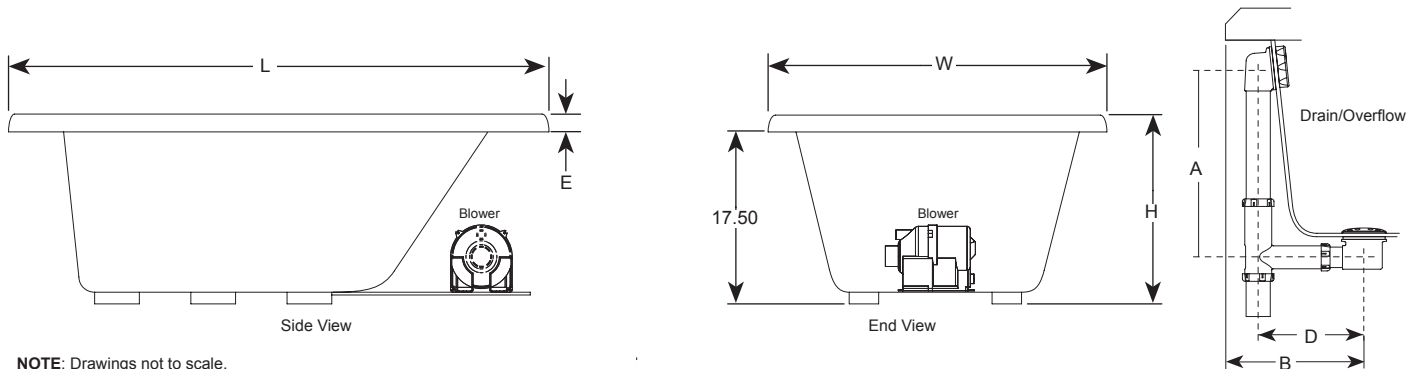
The overall dimensions are nominal with a tolerance of +0 and -.25" (6mm).  
 Electrical Specifications  
 (Each component requires a separate, dedicated GFCI protected circuit)  
 Blower 120V 15A 60HZ

### Key Dimensions

(Left End Drain / Right Side Blower shown)



\*Deck width reflects only area indicated on detail.



**NOTE:** Drawings not to scale.