



Signature Oval® Freestanding Bathtub

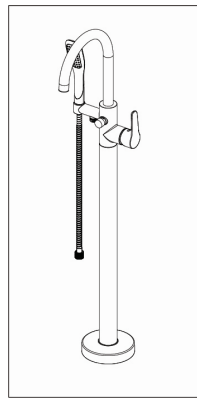
Letter	Description	Soaking	
		5930	6732
-	Drain Location	Universal	
-	Equipment Location	--	
-	Cutout Template	--	
-	Total Weight	893 lbs (405 kg)	1044 lbs (474 kg)
-	Floor Loading	73 lb/ft ² (356 kg/m ²)	71 lb/ft ² (347 kg/m ²)
-	Operating Gallons	67 Gal (254 L)	83 Gal (314 L)
-	Product Weight	84 lbs (38 kg)	97 lbs (44 kg)
-	Soaking Depth	15.7" (399 mm)	15.7" (399 mm)
L	Outer Length	59.2" (1504 mm)	67.0" (1702 mm)
W	Outer Width	29.7" (754 mm)	31.5" (800 mm)
H	Overall Height	23.6" (599 mm)	23.6" (599 mm)
A	Overflow Height	16.1" (409 mm)	16.1" (409 mm)
B	Long Edge to Drain Center	11.6" (295 mm)	13.3" (338 mm)
C	Short Edge to Drain Center	14.8" (376 mm)	15.8" (401 mm)
D	Drain Shoe Length	--	
E	Flange Height	--	
F	Deck Width*	1.4" (36 mm)	1.5" (38 mm)
G	Service Access Dimensions	No Service Access	
I	Floor Cutout for Drain	4" x 4" (102 mm x 102 mm)	
J	Interior Dimensions Bottom of Bath (L x W)	46.5" x 20.4" (1181 mm x 518 mm)	50.2" x 22.1" (1275 mm x 561 mm)
K	Interior Dimensions Top of Bath (L x W)	56.4" x 26.9" (1433 mm x 683 mm)	64.0" x 28.5" (1626 mm x 724 mm)
L2	Interior Depth - Drain End	18.6" (472 mm)	18.6" (472 mm)
M	Backrest Angle	11.8°	12.0°
N	Footprint (L x W)	44.8" x 19.7" (1138 mm x 500 mm)	50.5" x 21.4" (1283 mm x 544 mm)

NOTE
The overall dimensions are nominal with a tolerance of +0 and -.25" (6 mm).

CAUTION: The integral overflow cover is not removable. The warranty will be voided if attempted.

Tub/NW50 Filler Bundle Available

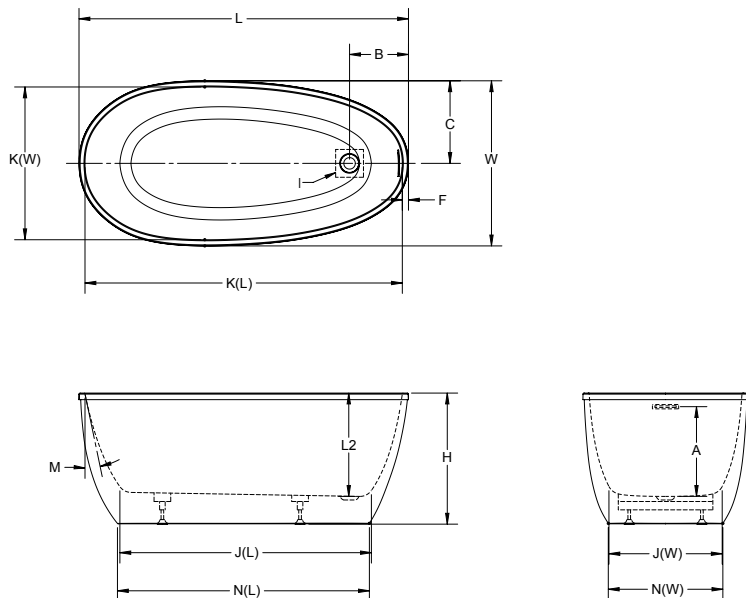
Tube Size	Tube Filler Finish	Bundle Part No.
5930	Chrome	OSB5930BUXXXG
	Brushed Nickel	OSN5930BUXXXG
	Matte Black	OSM5930BUXXXG
	Brushed Bronze	OSZ5930BUXXXG
6732	Chrome	OSB6732BUXXXG
	Brushed Nickel	OSN6732BUXXXG
	Matte Black	OSM6732BUXXXG
	Brushed Bronze	OSZ6732BUXXXG



NW50 Tub Filler Faucet

KEY DIMENSIONS

*Deck width reflects only area indicated on detail.



©2018 Jacuzzi Luxury Bath • For additional information, call Customer Service 800-288-4002 • www.jacuzzi.com/baths
Refer to installation instructions included with fixture before beginning installation. Please confirm product availability and specifications before commencing with any installation work.

PRODUCT SPECIFICATIONS AND AVAILABILITY ARE SUBJECT TO CHANGE WITHOUT NOTICE