

Sia 7242 Whirlpool



Product Codes beginning with: SIA7242WCR

Also applies to products sold under part numbers: GM85, KX15, KX20, KX25, KX30, KX35, KX40, KX45

TECHNICAL SPECIFICATIONS

	English	Metric
Outer Dimensions	72" L x 42" W x 24" H	1829 mm L x 1067 mm W x 610 mm H
Interior Dimensions (bottom of bath) L x W (Mid) x W (End)	49" L x 28" W x 28" W	1245 mm L x 711 mm W x 711 mm W
Drain/Pump Configuration	Center drain/Right end pump	Center drain/Right end pump
Bath Weight (empty)	162 lbs	74 kg
Total Weight/Floor Loading	1,312 lbs 62.5 lbs/ft ²	596 kg 305 kg/m ²
Operating Gallonage (min-max)	89 (min) 102 (max) U.S. Gals	337 (min) 386 (max) L
Electrical Specifications	Each component requires a separate, dedicated GCFI protected circuit	
Motor/Pump	120V 20A 60HZ	
Heater	120V 15A 60HZ	

FEATURES, UPGRADES & ACCESSORIES

Material Type: High-Gloss Acrylic

Install Type: Drop-in or Undermount

Available Colors: White (W), Almond (A), Oyster (Y), Black (B)

Cut-out: 70" x 40" or Undermount Template GU50000

Standard (Included) Features:

13 jets, In-line Heater, Chromatherapy lighting

Available Control Systems:

J4 Luxury Control Panel (standard)

J5 Luxury LCD Control Panel

Available Upgrades:

Whisper Quiet Technology,

Illumatherapy Lighting

Available Accessories:

HP55 Rotary Drain Kit (specify metal finish)

GU44 TheraPro Jet Trim Kit (specify metal finish)

GU45 AccuPro Jet Trim Kit (specify metal finish)

G864 Hand Rails (specify metal finish)

827: Chrome, 826: Brushed Nickel, 845: Oil Rubbed Bronze

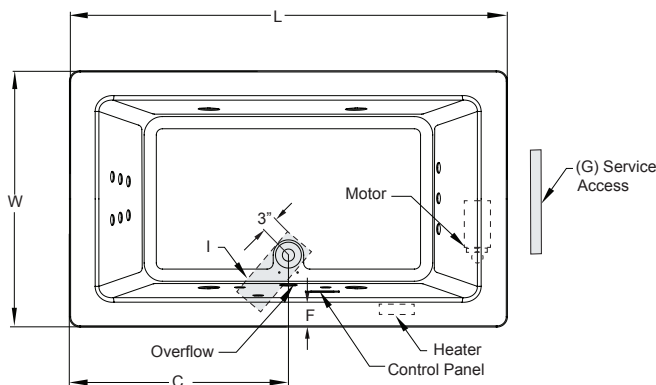
*Note: GU44 (Chrome) is standard with Illumatherapy.

EK91 21" Straight Pillow (specify color) 959: White, 958: Almond,

969: Oyster

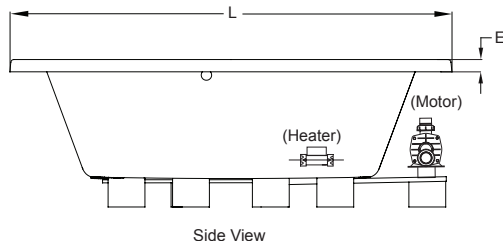
GQ88 Light Chromatherapy Add-on Kit

KEY DIMENSIONS

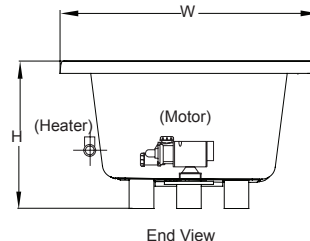


*Deck width reflects only area indicated on detail.

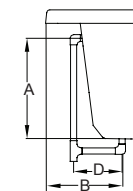
Letter	Description	English	Metric
L	Outer Length	72"	1829 mm
W	Outer Width	42"	1067 mm
H	Overall Height	24"	610 mm
A	Overflow Height	17 3/4"	451 mm
B	Long Edge to Drain Center	11 1/2"	292 mm
C	Short Edge to Drain Center	36"	915 mm
D	Drain Shoe Length	6 1/2"	165 mm
E	Deck Height	2"	51 mm
F	Deck Width*	5"	127 mm
G	Service Access Dimensions	12" H x 18" L	305 mm x 457 mm



Side View



End View



Drain/Overflow

NOTE: Graphics May Not be to Scale

© 2010 Jacuzzi Luxury Bath • For additional information call Customer Service 800-288-4002 • www.jacuzzi.com/technicalspecs

Refer to installation instructions included with fixture before beginning installation. Please confirm product availability and specifications before commencing with any installation work.

PRODUCT SPECIFICATIONS AND AVAILABILITY ARE SUBJECT TO CHANGE WITHOUT NOTICE.

HD75000 REL 03/10