



Luna® 6735 Freestanding Bathtub

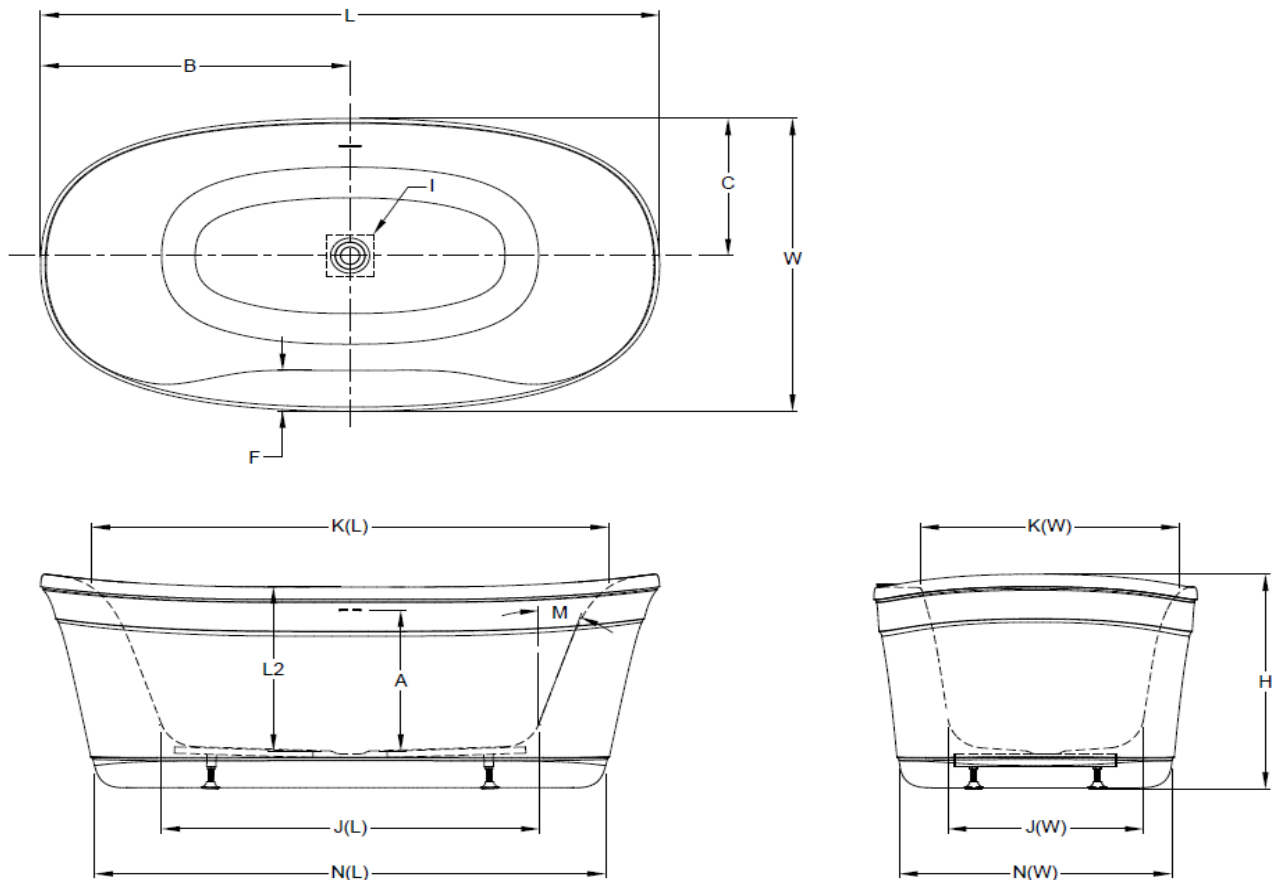
Letter	Description	Soaker
-	Drain Location	Center Drain
-	Equipment Location	--
-	Cutout Template	--
-	Total Weight	843 lbs (382 kg)
-	Floor Loading	52 lb/ft ² (254 kg/m ²)
-	Operating Gallons	59 Gal (223 L)
-	Product Weight	100 lbs (45 kg)
-	Soaking Depth	16.5" (419 mm)
L	Outer Length	67" (1702 mm)
W	Outer Width	35" (889 mm)
H	Overall Height	25.6" (650 mm)
A	Overflow Height	16.8" (427 mm)
B	Long Edge to Drain Center	33.5" (851 mm)
C	Short Edge to Drain Center	16.4" (417 mm)
D	Drain Shoe Length	--
E	Flange Height	--
F	Deck Width*	5.0" (127 mm)
G	Service Access Dimensions	No Service Access
I	Floor Cutout for Drain	4" x 4" (102 mm x 102 mm)
J	Interior Dimensions Bottom of Bath (L x W)	40.8" x 21.2" (1036 mm x 538 mm)
K	Interior Dimensions Top of Bath (L x W)	56.0" x 28.0" (1422 mm x 711 mm)
L2	Interior Depth - Drain End	19.6" (498 mm)
M	Backrest Angle	19.0°
N	Footprint (L x W)	55.3" x 29.5" (1405 mm x 749 mm)

NOTE

The overall dimensions are nominal with a tolerance of +0 and -.25" (6 mm).

KEY DIMENSIONS

*Deck width reflects only area indicated on detail.



©2019 Jacuzzi Luxury Bath • For additional information, call Customer Service 800-288-4002 • www.jacuzzi.com/baths
 Refer to installation instructions included with fixture before beginning installation. Please confirm product availability and specifications before commencing with any installation work.

PRODUCT SPECIFICATIONS AND AVAILABILITY ARE SUBJECT TO CHANGE WITHOUT NOTICE