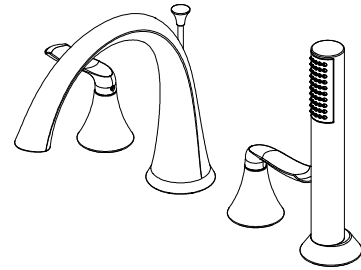




## specifications

### FEATURES

- Ceramic Cartridge
- Lever Style Handle
- Requires 3-Hole Sink with 8" On-Center
- 1/2" IPS connections
- Min Flow Rate: 2.4 GPM at 20 PSI



### CODE COMPLIANCE

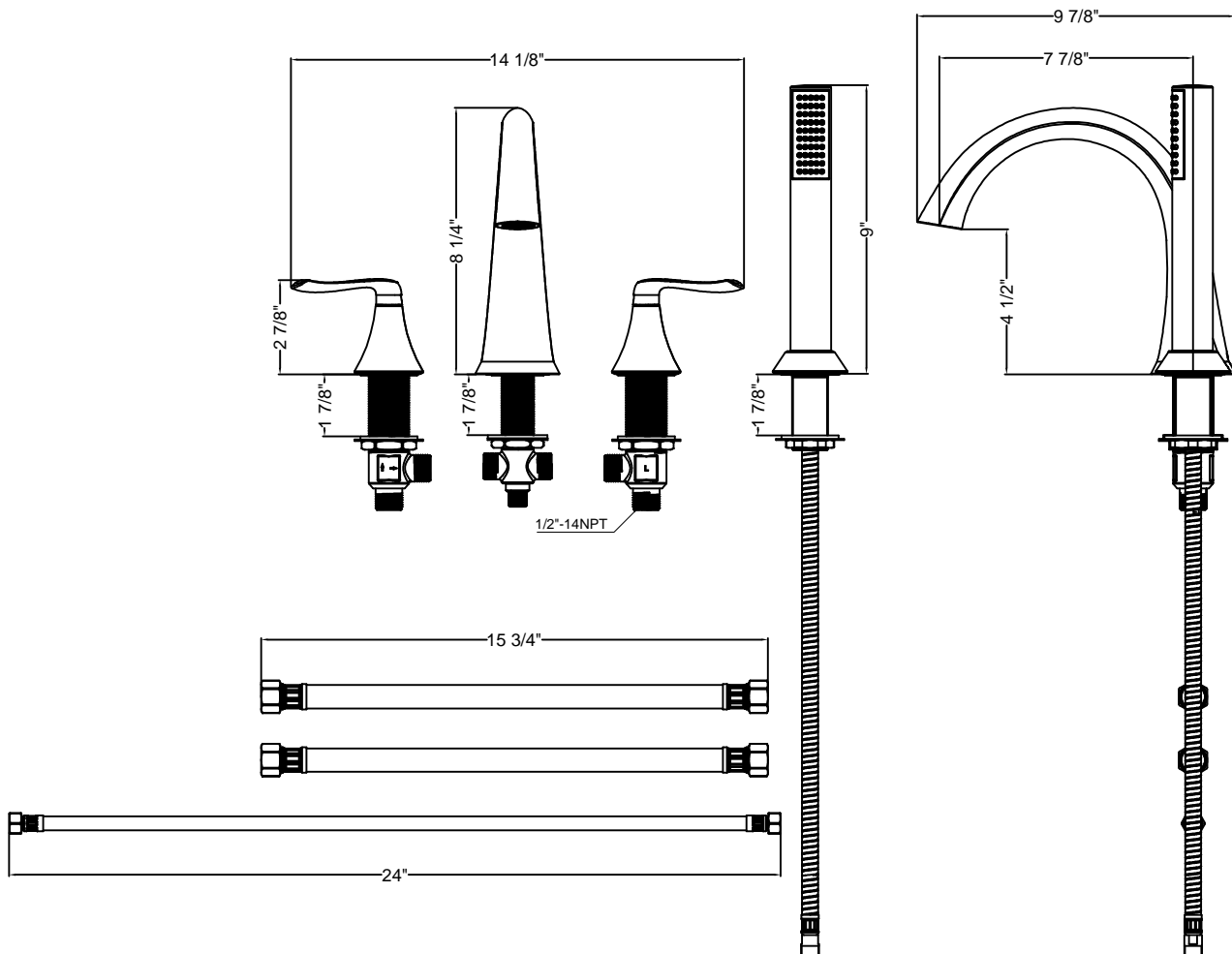
- ASME A112.18.1 / CSA B125.1
- IAPMO Certified

Wall Mount Tub Filler

MODEL	FINISH
0703852	Chrome Finish

### WARRANTY

- Limited Lifetime Warranty



### INSTALLATION DIMENSIONS