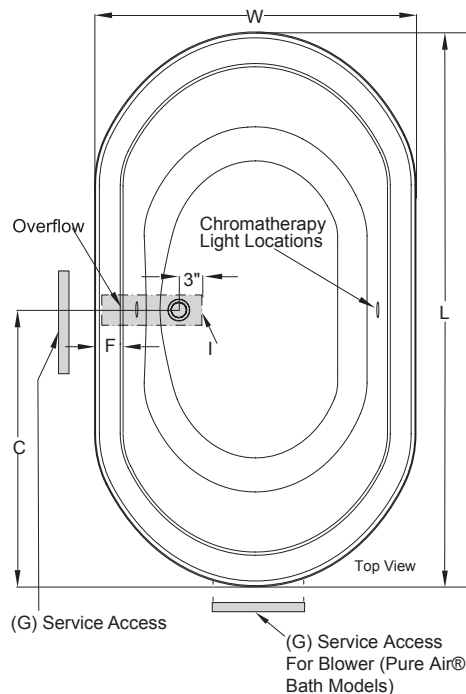
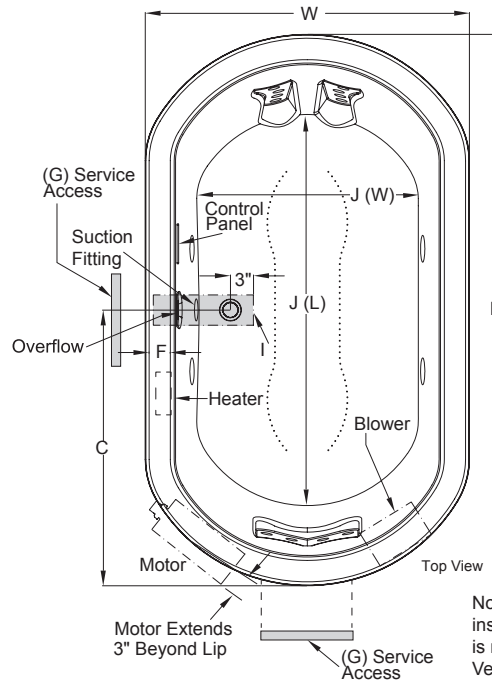


**Anza™ - Technical Specifications for 6636 Models**

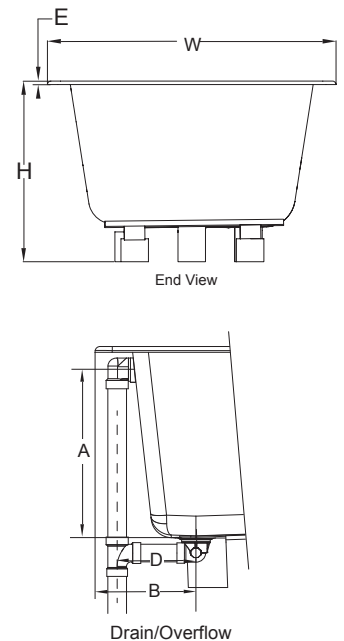
Letter	Description	SOAKING	PURE AIR® BATH	WHIRLPOOL	SALON® SPA	Each component requires a separate, dedicated GFCI protected circuit		
-	Drain/Motor Location	Center Drain/Right Side Motor And/Or Blower						
-	Cutout Template	Template Provided P/N DA08000						
-	Total Weight	979 lbs (444 kg)	1029 lbs (467 kg)	1044 lbs (473 kg)	1064 lbs (483 kg)			
-	Floor Loading	59 lb/ft <sup>2</sup> (290 kg/m <sup>2</sup> )	62 lb/ft <sup>2</sup> (304 kg/m <sup>2</sup> )	63 lb/ft <sup>2</sup> (309 kg/m <sup>2</sup> )	64 lb/ft <sup>2</sup> (315 kg/m <sup>2</sup> )			
-	Operating Gallons (Max)	79 gallons (299.0 liters)						
-	Product Weight	71 lbs (32 kg)	121 lbs (55 kg)	136 lbs (62 kg)	156 lbs (71 kg)			
-	Soaking Depth	16.7" (422.21 mm)						
L	Outer Length	66" (1676 mm)						
W	Outer Width	36" (914 mm)						
H	Overall Height	26" (660 mm)						
A	Overflow Height	17.9" (455 mm)						
B	Long Edge to Drain Center	11" (279 mm)						
C	Short Edge to Drain Center	33" (838 mm)						
D	Drain Shoe Length	7.25" (184 mm)						
E	Deck Height	0.50" (13 mm)						
F	Deck Width	3.875" (98 mm)						
G	Service Access Dimensions	12" x 18" (305 mm x 457 mm)						
I	Floor Cutout for Drain	12" x 6" (305 mm x 152 mm)						
J	Interior Dimensions (bottom of bath) L x W	44" x 23" (1118 mm x 584 mm)						
						<b>Model with components</b>	<b>GFCI Outlet (60Hz)</b>	
						<b>SOAKING</b>	Soaker only	None
							Soaker w/ Chromotherapy	
						<b>PURE AIR® BATH</b>	Blower	120V 15A
							Chromotherapy (if available)	
						<b>WHIRLPOOL</b>	Motor/Pump	120V 20A
							Heater (if available)	120V 15A
						<b>SALON® SPA</b>	Motor/Pump/Heater	240V 20A
							Blower	120V 15A

**KEY DIMENSIONS\* [NOTE: The overall dimensions are nominal with a tolerance of +0 and -.25" (6mm).]**

 Anza™ Soaking And Pure Air® Bath Models  
(Soaking Bath Shown)

 Anza™ Whirlpool And Salon® Spa Models  
(Salon® Spa Shown)


Note: Drain installation is non-standard. Vertical overflow connection requires offset.

All Models



Refer to installation instructions included with fixture before beginning installation. Please confirm product availability and specifications before commencing with any installation work.

PRODUCT SPECIFICATIONS AND AVAILABILITY ARE SUBJECT TO CHANGE WITHOUT NOTICE