

Job Name: _____
 Location: _____
 Contact #: _____



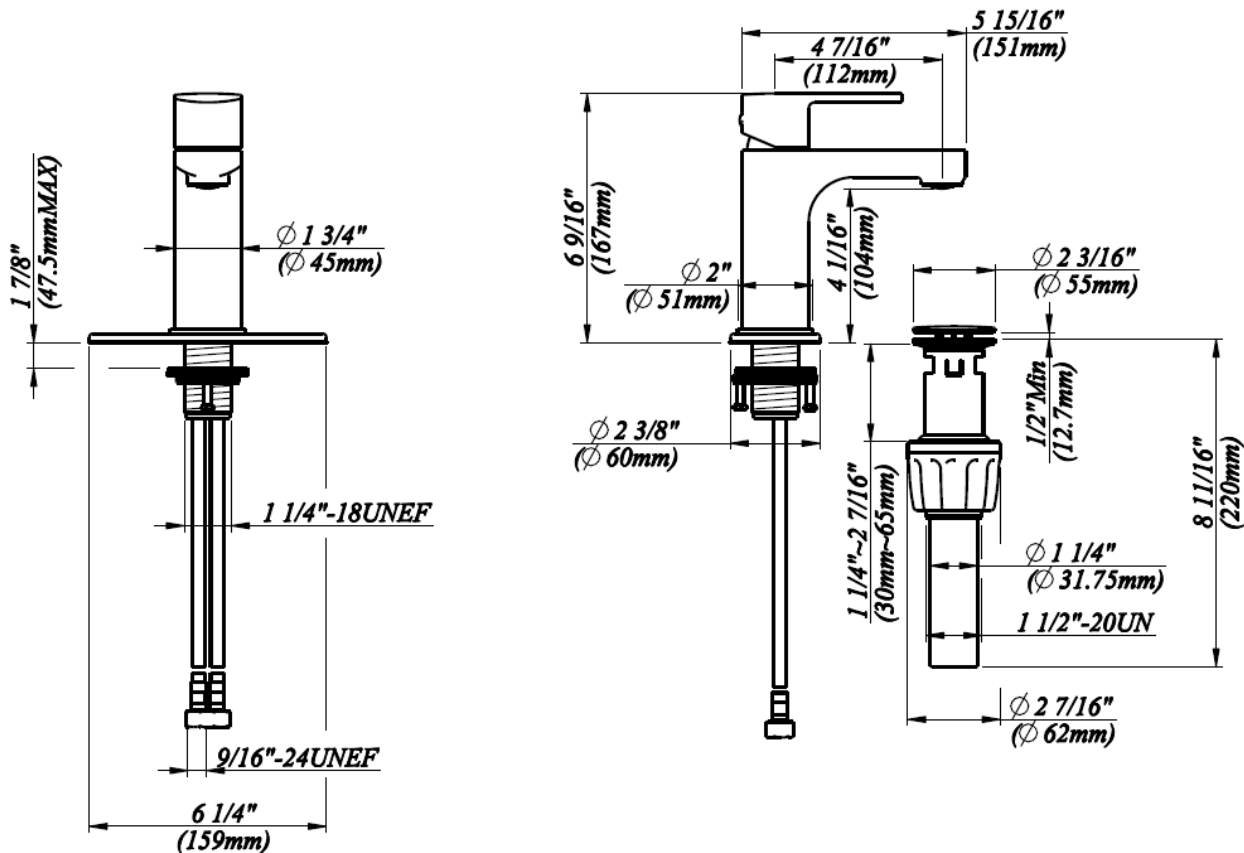
Specifications

Primo® Single Handle Lavatory Faucet

Model
 0835540—Chrome finish

- Description**
- Ceramic disc cartridges
 - Hybrid Body
 - Push pop up
 - Optional Deckplate
 - Metal Level Handle
 - Max flow rate 1.2 gpm

- Standards**
- NSF ANSI 372 / 61-9
 - cUPC
 - A112.18.1 M/A 112.18.1
 - AB1953
 - ADA
 - Watersense



Technical Support

1-800-288-4002

Manufacturer model# FS1AL000CP

Warranty Parts List

Single Handle Lavatory Faucet

No.	Description	Part No.
1	Index Button	A66D806
2	Metal Handle	A069142
3	Trim Cap	A103121
4	Locking Nut	A104259
5	Ceramic Disc Cartridge	A507906N-31
6	O-ring set	A608015N
7	Aerator	A553055N
8	Base Trim Ring	A66F541
9	Mounting Hardware	A66D401
10	Cover Plate & Putty Plate	A663082-S
11	Pop up Assembly	A505218
12	Hex Wrench (H2.5 * L * L)	A031000NI

