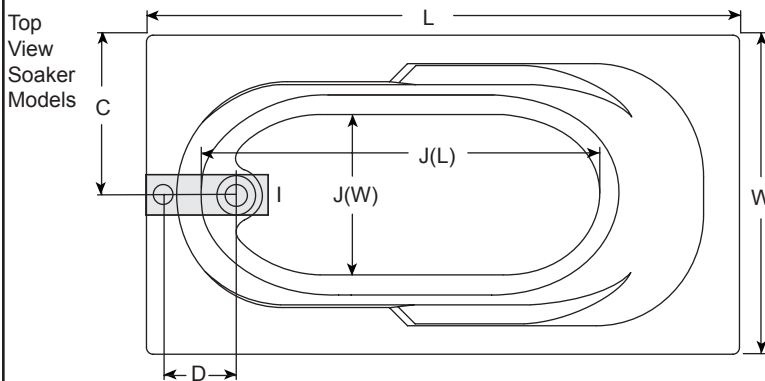
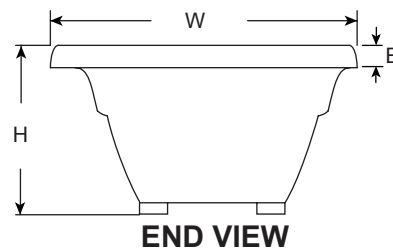
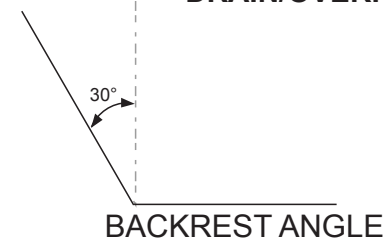
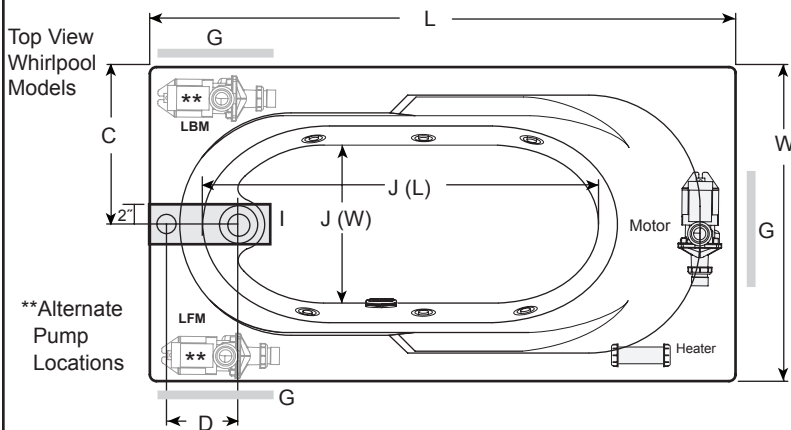
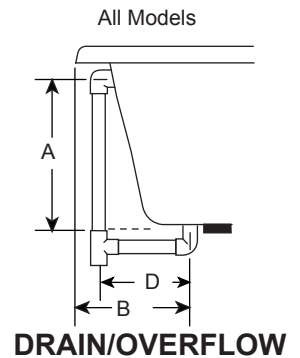


Signature® Collection Rectangle Drop-in Soaker and Whirlpool Bathtubs

Letter	Description	SOAKER MODELS		WHIRLPOOL MODELS		WIHIRLPOOL MODELS						
		J2D6036B	J2D7236B	J2D6036W	J2D7236W							
-	Drain/Motor Location	LH / RH Drain		LH / RH Drain & Right or Left Side Motor		Each component requires a separate, dedicated GFCI protected circuit <table border="1"> <tr> <th>Model with components</th> <th>GFCI Outlet (60Hz)</th> </tr> <tr> <td>Motor/Pump</td> <td>120V 15A</td> </tr> <tr> <td>Heater (if available)</td> <td>120V 15A</td> </tr> </table>	Model with components	GFCI Outlet (60Hz)	Motor/Pump	120V 15A	Heater (if available)	120V 15A
Model with components	GFCI Outlet (60Hz)											
Motor/Pump	120V 15A											
Heater (if available)	120V 15A											
-	Cutout	58" x 34" (1473 mm x 864 mm)	70" x 34" (1778 mm x 864 mm)	58" x 34" (1473 mm x 864 mm)	70" x 34" (1778 mm x 864 mm)							
-	Total Weight	752 lbs (341 kg)	790 lbs (358 kg)	766 lbs (347 kg)	805 lbs (365 kg)							
-	Floor Loading	50.7 lb/ft² (247 kg/m²)	44.5 lb/ft² (217 kg/m²)	51.7 lb/ft² (252 kg/m²)	45.4 lb/ft² (222 kg/m²)							
-	Operating Gallons (Max)	54 gallons (204 liters)	58 gallons (220 liters)	54 gallons (204 liters)	58 gallons (220 liters)							
-	Product Weight	52 lbs (24 kg)	57 lbs (26 kg)	66 lbs (30 kg)	72 lbs (33 kg)							
-	Soaking Depth	13.8" (351 mm)		13.8" (351 mm)								
L	Outer Length	60" (1524 mm)	72" (1829 mm)	60" (1524 mm)	72" (1829 mm)							
W	Outer Width	36" (914 mm)		36" (914 mm)								
H	Overall Height	19.25" (489 mm)		19.25" (489 mm)								
A	Overflow Height	15.37" (391 mm)		15.38" (391 mm)								
B	Long Edge to Drain Center	8.62" (219 mm)	9.50" (241 mm)	8.63" (219 mm)	9.50" (241 mm)							
C	Short Edge to Drain Center	18" (457 mm)		18" (457 mm)								
D	Drain Shoe Length	6.50" (165 mm)	10.13" (257 mm)	6.50" (165 mm)	10.13" (257 mm)							
E	Deck/Flange Height	2" (51 mm)		2" (51 mm)								
F	Deck Width	3" (76 mm)		3" (76 mm)								
G	Service Access Dimensions	N/A		12" x 18" (305 mm x 457 mm)								
I	Floor Cutout for Drain	12" x 4" (305 mm x 102 mm)		12" x 4" (305 mm x 102 mm)								
J	Interior Dimensions (bottom of bath) J(L) x J(W)	41" x 23" (1041 mm x 584 mm)	52.5" x 22" (1334 mm x 559 mm)	41" x 23" (1041 mm x 584 mm)	52.5" x 22" (1334 mm x 559 mm)							

KEY DIMENSIONS* [NOTE: The overall dimensions are nominal with a tolerance of +0 and -.25" (6mm).]

NOTE

When ordering integral 3-tile flange (J2T), flange height on 3-tile flange is 1.25" (32mm) from deck.



NOTE: Drawings not to scale.