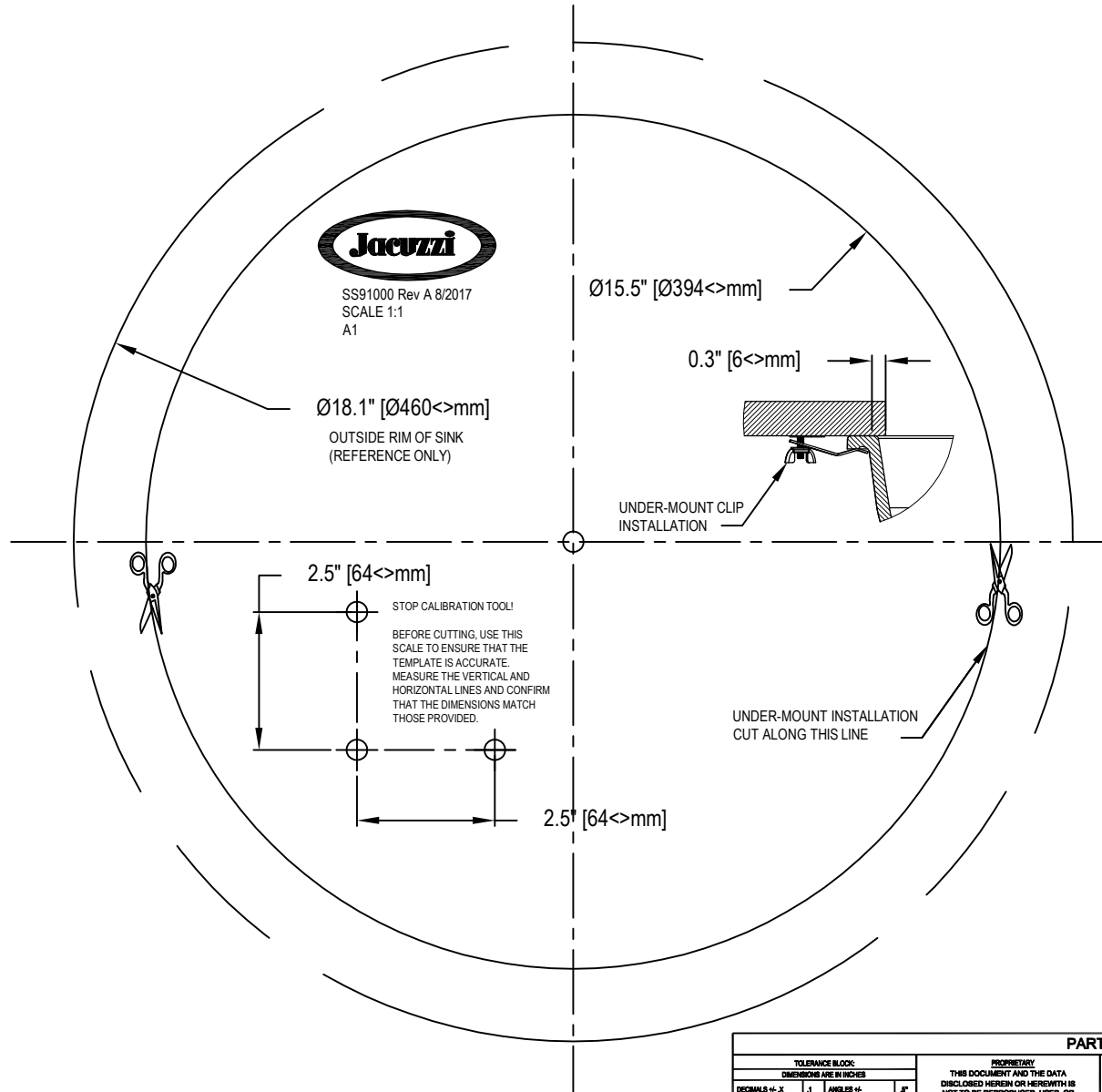


NOTES: UNLESS OTHERWISE SPECIFIED

1. AUTOCAD ARTWORK FILE SS91ART TO BE SUPPLIED BY JLB ENGINEERING AND IS TO BE PRINTED FULL SIZE (1:1).
2. SIZE OF PRINTING TO BE VERIFIED BY USE OF CALIBRATION TOOL PRIOR TO SHIPPING TEMPLATES.
3. MINIMUM 1 EACH FIRST ARTICLE SAMPLE TO BE PROVIDED TO JLB FOR APPROVAL PRIOR TO PRODUCTION RUN, UNLESS OTHERWISE AGREED UPON.
4. PAPER MATERIAL TO BE 32 LB. SMOOTH WHITE TEXT.
5. INK COLOR TO BE BLACK.
6. TEMPLATE TO BE FOLDED IN SUCH A WAY THE NOTATION WITH TEMPLATE PIN AND PRODUCT USAGE TO APPEAR ON FRONT. FINAL FOLDED SIZE TO BE APPROXIMATELY 8.5" X 11".

REVISION BLOCK				
REV	ECN #	DESCRIPTION OF CHANGE(S)	DATE	CHANGED/APPROVED
A	10232	ENGINEERING RELEASE	08/09/17	FR/MD
B				
C				



TOLERANCE BLOCK				PROPRIETARY		PARTS LIST							
DIMENSIONS ARE IN INCHES				THIS DOCUMENT AND THE DATA DISCLOSED HEREIN OR HEREWITH IS NOT TO BE REPRODUCED, USED, OR OTHERWISE DISCLOSED IN WHOLE OR IN PART TO ANYONE WITHOUT WRITTEN AUTHORIZATION FROM SUNSHINE SPAS.		TITLE							
DECIMALS +- .X	.1	ANGLES +- .P		14825 MONTE VISTA AVE. CHINO, CALIFORNIA 91710		TEMPLATE, LEOLA 1818 UM SINK							
DECIMALS +- .XX	.05	FRACTIONS +- 1/16											
DECIMALS +- .XXX	.005												
MATERIAL	SEE NOTES	APPROVALS	DATE	DRWN BY	F. ROMERO	08/09/17	SIZE	A	FIRM NO.	DWG NO.	SS91000	REV	A
FINISH	SEE NOTES	APPROVED BY	M. DOMINGUEZ	DATE	8/10/17	SCALE	1=1	NEXT ASSY.		SHEET	1	OF	1

APPROVED JACOZZI 8/9/17 10:00 AM. LAST UPDATED 10 JANUARY 2016.