

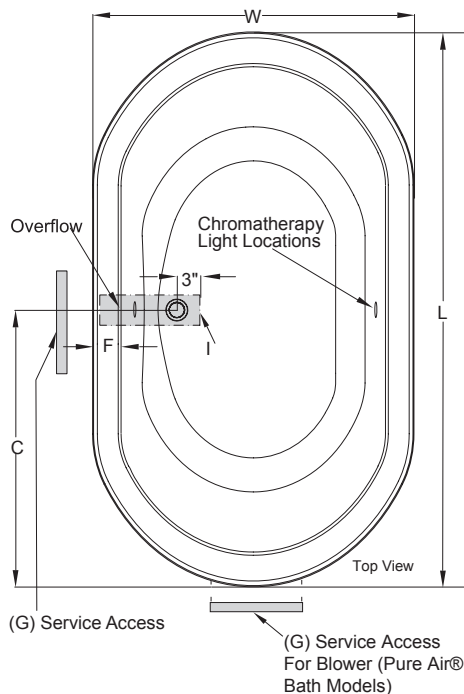
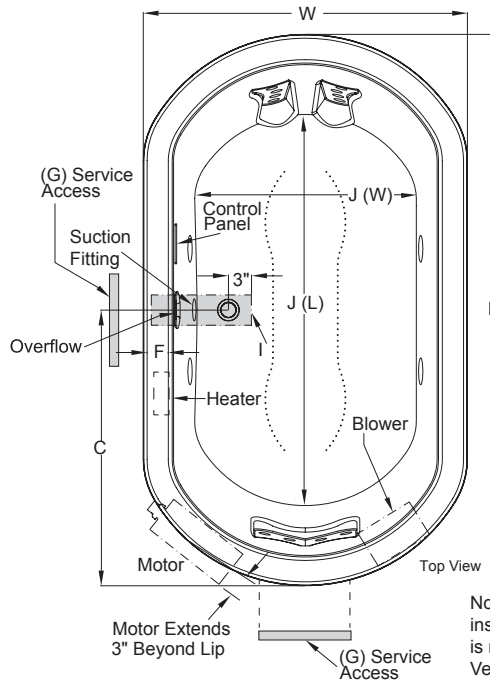
**Anza™ - Technical Specifications for 6042 Models**

Letter	Description	SOAKING	PURE AIR® BATH	WHIRLPOOL	SALON® SPA	Each component requires a separate, dedicated GFCI protected circuit	
-	Drain/Motor Location	Center Drain/Right Side Motor And/Or Blower					
-	Cutout Template	Template Provided P/N DA09000					
-	Total Weight	1016 lbs (461 kg)	1073 lbs (487 kg)	1077 lbs (488 kg)	1097 lbs (498 kg)		
-	Floor Loading	58 lb/ft <sup>2</sup> (283 kg/m <sup>2</sup> )	61 lb/ft <sup>2</sup> (299 kg/m <sup>2</sup> )	62 lb/ft <sup>2</sup> (300 kg/m <sup>2</sup> )	63 lb/ft <sup>2</sup> (306 kg/m <sup>2</sup> )		
-	Operating Gallons (Max)	83.0 gallons (314.2 liters)					
-	Product Weight	75 lbs (34 kg)	132 lbs (60 kg)	136 lbs (62 kg)	156 lbs (71 kg)		
-	Soaking Depth	16.6" (420.37 mm)					
L	Outer Length	60" (1524 mm)					
W	Outer Width	42" (1067 mm)					
H	Overall Height	26" (660 mm)					
A	Overflow Height	17.8" (452 mm)					
B	Long Edge to Drain Center	11" (279 mm)					
C	Short Edge to Drain Center	30" (762 mm)					
D	Drain Shoe Length	7.25" (184 mm)					
E	Deck Height	0.50" (13 mm)					
F	Deck Width	3.875" (98 mm)					
G	Service Access Dimensions	12" x 18" (305 mm x 457 mm)					
I	Floor Cutout for Drain	12" x 6" (305 mm x 152 mm)					
J	Interior Dimensions (bottom of bath) L x W	39" x 28" (991 mm x 711 mm)					

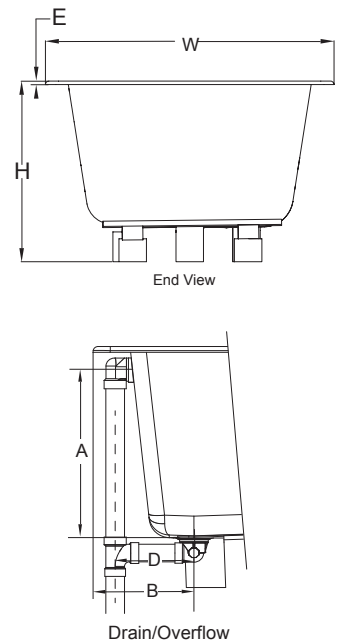
  

Model with components		GFCI Outlet (60Hz)
SOAKING	Soaker only	None
	Soaker w/ Chromatherapy	120V 15A
PURE AIR® BATH	Blower	
	Chromatherapy (if available)	
WHIRLPOOL	Motor/Pump	120V 20A
	Heater (if available)	120V 15A
SALON® SPA	Motor/Pump/ Heater	240V 20A
	Blower	120V 15A

**KEY DIMENSIONS\* [NOTE: The overall dimensions are nominal with a tolerance of +0 and -.25" (6mm).]**

 Anza™ Soaking And Pure Air® Bath Models  
(Soaking Bath Shown)

 Anza™ Whirlpool And Salon® Spa Models  
(Salon® Spa Shown)


All Models



Note: Drain installation is non-standard. Vertical overflow connection requires offset.

Refer to installation instructions included with fixture before beginning installation. Please confirm product availability and specifications before commencing with any installation work.

PRODUCT SPECIFICATIONS AND AVAILABILITY ARE SUBJECT TO CHANGE WITHOUT NOTICE