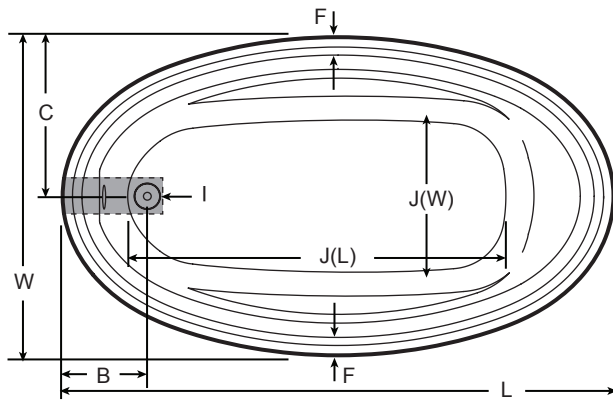


Signature™ Collection Oval Drop-in Soaker And Whirlpool Bathtubs

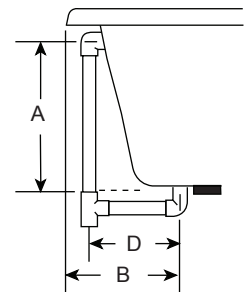
| Letter | Description | SOAKER MODELS | | WHIRLPOOL MODELS | | WIHIRLPOOL MODELS | | | | | | |
|-----------------------|--|--|--|--|--|--|-----------------------|--------------------|------------|----------|-----------------------|----------|
| | | J3D6042B | J3D7242B | J3D6042W | J3D7242W | | | | | | | |
| - | Drain/Motor Location | LH / RH Drain | | LH / RH Drain & Right or Left Side Motor | | Each component requires a separate, dedicated GFCI protected circuit <table border="1"> <tr> <td>Model with components</td> <td>GFCI Outlet (60Hz)</td> </tr> <tr> <td>Motor/Pump</td> <td>120V 15A</td> </tr> <tr> <td>Heater (if available)</td> <td>120V 15A</td> </tr> </table> | Model with components | GFCI Outlet (60Hz) | Motor/Pump | 120V 15A | Heater (if available) | 120V 15A |
| Model with components | GFCI Outlet (60Hz) | | | | | | | | | | | |
| Motor/Pump | 120V 15A | | | | | | | | | | | |
| Heater (if available) | 120V 15A | | | | | | | | | | | |
| - | Cutout | P/N NB88000 | | P/N NB88000 | | | | | | | | |
| - | Total Weight | 857 lbs (389 kg) | 962 lbs (436 kg) | 873 lbs (396 kg) | 978 lbs (444 kg) | | | | | | | |
| - | Floor Loading | 51 lb/ft ² (249 kg/m ²) | 45.8 lb/ft ² (224 kg/m ²) | 52 lb/ft ² (254 kg/m ²) | 46.6 lb/ft ² (227 kg/m ²) | | | | | | | |
| - | Operating Gallons (Max) | 66 gallons (250 liters) | 78 gallons (295 liters) | 66 gallons (250 liters) | 78 gallons (295 liters) | | | | | | | |
| - | Product Weight | 57 lbs (26 kg) | 62 lbs (28 kg) | 73 lbs (33 kg) | 78 lbs (35 kg) | | | | | | | |
| - | Soaking Depth | 15.5" (394 mm) | 15" (381 mm) | 15.5" (394 mm) | 15" (381 mm) | | | | | | | |
| L | Outer Length | 59" (1499 mm) | 71" (1803 mm) | 59" (1499 mm) | 71" (1803 mm) | | | | | | | |
| W | Outer Width | 41" (1041 mm) | | 41" (1041 mm) | | | | | | | | |
| H | Overall Height | 21" (533 mm) | | 21" (533 mm) | | | | | | | | |
| A | Overflow Height | 16.25" (413 mm) | | 16.25" (413 mm) | | | | | | | | |
| B | Long Edge to Drain Center | 9.90" (251 mm) | 10.90" (277 mm) | 9.90" (251 mm) | 10.90" (277 mm) | | | | | | | |
| C | Short Edge to Drain Center | 20.50" (521 mm) | | 20.50" (521 mm) | | | | | | | | |
| D | Drain Shoe Length | 7.90" (201 mm) | 8.90" (216 mm) | 7.90" (201 mm) | 8.90" (216 mm) | | | | | | | |
| E | Deck/Flange Height | 2" (51 mm) | | 2" (51 mm) | | | | | | | | |
| F | Deck Width | 2.31" (53 mm) | | 2.31" (53 mm) | | | | | | | | |
| G | Service Access Dimensions | N/A | | 12" x 18" (305 mm x 457 mm) | | | | | | | | |
| I | Floor Cutout for Drain | 12" x 4" (305 mm x 102 mm) | | 12" x 4" (305 mm x 102 mm) | | | | | | | | |
| J | Interior Dimensions (bottom of bath) J(L) X J(W) | 42" x 24" (1067 mm x 610 mm) | 52.5" x 22" (1334 mm x 559 mm) | 42" x 24" (1067 mm x 610 mm) | 52.5" x 22" (1334 mm x 559 mm) | | | | | | | |

KEY DIMENSIONS* [NOTE: The overall dimensions are nominal with a tolerance of +0 and -.25" (6mm).]

Top View Soaker Models

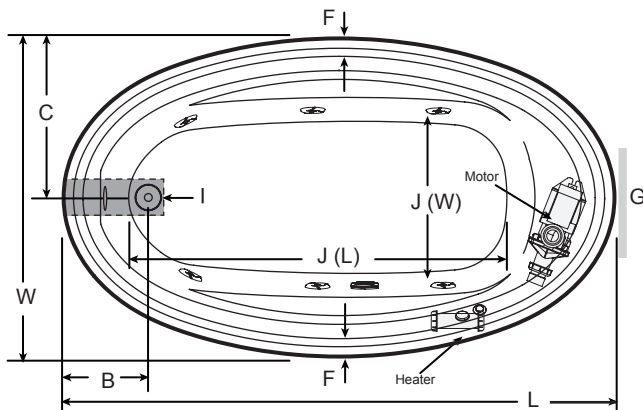


All Models



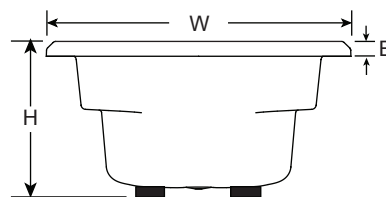
DRAIN/OVERFLOW

Top View Whirlpool Models



33° for 7242 Models
27° for 6042 Models

BACKREST ANGLE



END VIEW

NOTE: Drawings not to scale.