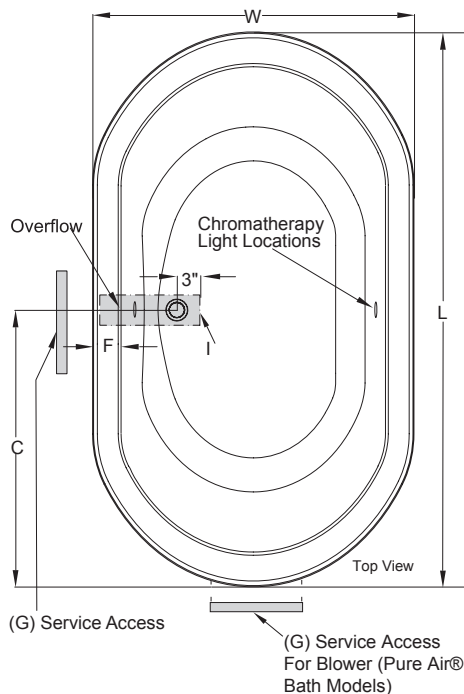
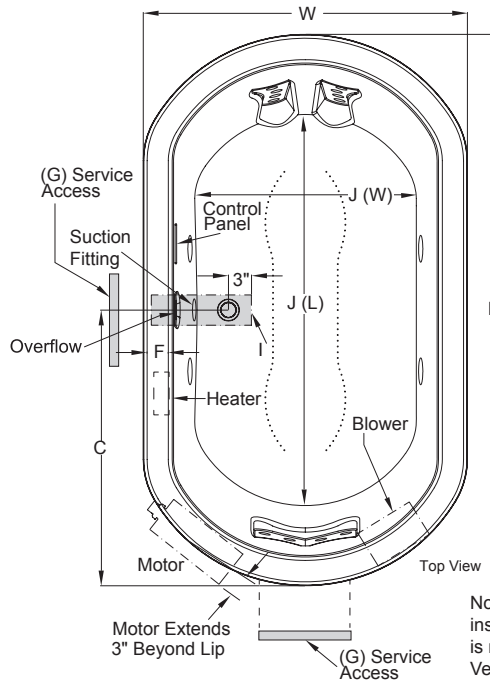


Anza™ - Technical Specifications for 6642 Models

Letter	Description	SOAKING	PURE AIR® BATH	WHIRLPOOL	SALON® SPA	Each component requires a separate, dedicated GFCI protected circuit	
-	Drain/Motor Location	Center Drain/Right Side Motor And/Or Blower					
-	Cutout Template	Template Provided P/N DA07000					
-	Total Weight	1143 lbs (518 kg)	1182 lbs (536 kg)	1195 lbs (542 kg)	1220 lbs (533 kg)		
-	Floor Loading	59 lb/ft ² (290 kg/m ²)	61 lb/ft ² (300 kg/m ²)	62 lb/ft ² (303 kg/m ²)	63 lb/ft ² (309 kg/m ²)		
-	Operating Gallons (Max)	97 gallons (367.1 liters)					
-	Product Weight	85 lbs (39 kg)	124 lbs (56 kg)	137 lbs (62 kg)	162 lbs (73 kg)		
-	Soaking Depth	16.7" (422.91 mm)					
L	Outer Length	66" (1676 mm)					
W	Outer Width	42" (1067 mm)					
H	Overall Height	26" (660 mm)					
A	Overflow Height	17.9" (455 mm)					
B	Long Edge to Drain Center	11" (279 mm)					
C	Short Edge to Drain Center	33" (838 mm)					
D	Drain Shoe Length	7.25" (184 mm)					
E	Deck Height	0.50" (13 mm)					
F	Deck Width	3.875" (98 mm)					
G	Service Access Dimensions	12" x 18" (305 mm x 457 mm)					
I	Floor Cutout for Drain	12" x 6" (305 mm x 152 mm)					
J	Interior Dimensions (bottom of bath) L x W	43" x 28" (1092 mm x 711 mm)					

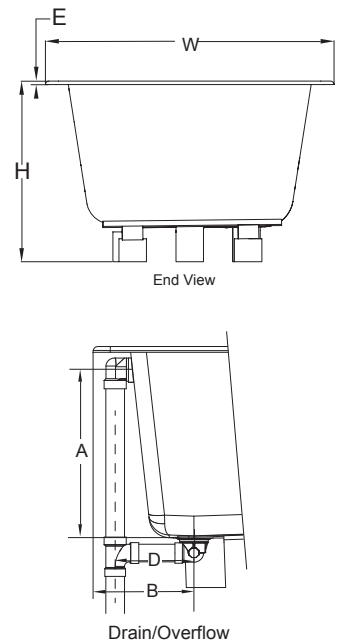
Model with components		GFCI Outlet (60Hz)
SOAKING	Soaker only	None
	Soaker w/ Chromatherapy	120V 15A
PURE AIR® BATH	Blower	
	Chromatherapy (if available)	
WHIRLPOOL	Motor/Pump	120V 20A
	Heater (if available)	120V 15A
SALON® SPA	Motor/Pump/Heater	240V 20A
	Blower	120V 15A

KEY DIMENSIONS* [NOTE: The overall dimensions are nominal with a tolerance of +0 and -.25" (6mm).]

 Anza™ Soaking And Pure Air® Bath Models
(Soaking Bath Shown)

 Anza™ Whirlpool And Salon® Spa Models
(Salon® Spa Shown)


Note: Drain installation is non-standard. Vertical overflow connection requires offset.

All Models



Refer to installation instructions included with fixture before beginning installation. Please confirm product availability and specifications before commencing with any installation work.

PRODUCT SPECIFICATIONS AND AVAILABILITY ARE SUBJECT TO CHANGE WITHOUT NOTICE