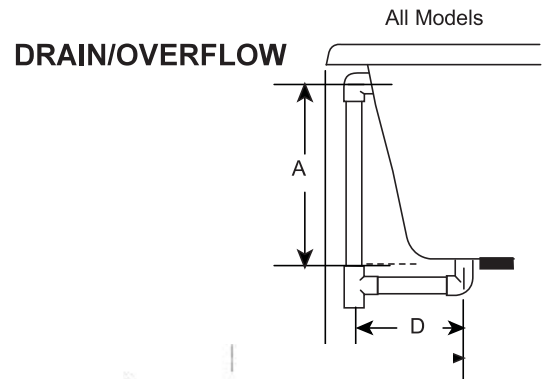
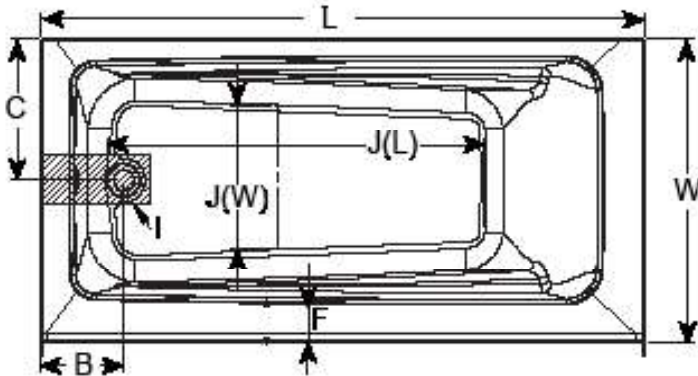


Signature® Collection Rectangle w/Armrest Skirted Soaker and Whirlpool Bathtubs

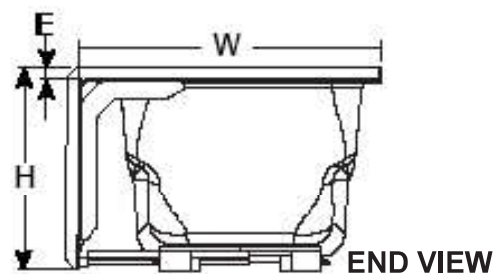
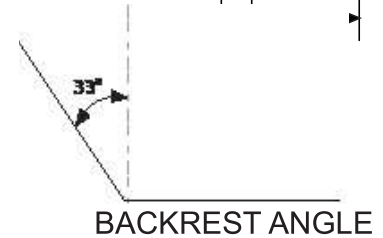
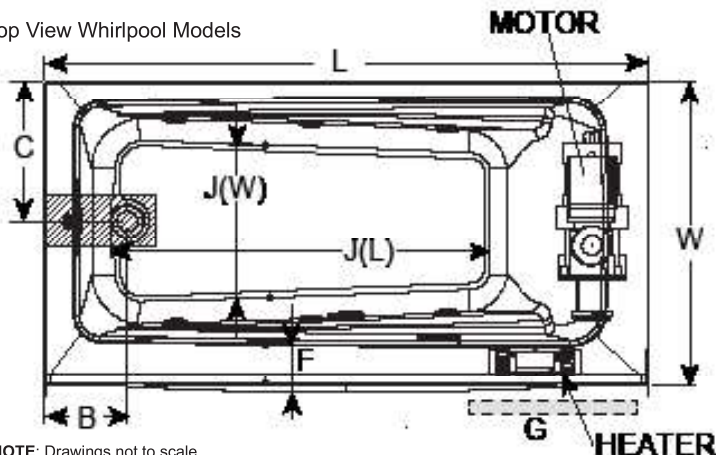
Letter	Description	SOAKER MODELS		WHIRLPOOL MODELS		WHIRLPOOL MODELS
		J1A6030B	J1A6032B	J1A6030W	J1A6032W	
-	Drain/Motor Location	LH / RH		LH / RH		Each component requires a separate, dedicated GFCI protected circuit
-	Cutout	N/A		Opposite end of drain		
-	Total Weight	745 lbs (338 kg)	746 lbs (338 kg)	759 lbs (344 kg)	760 lbs (345 kg)	
-	Floor Loading	60 lb/ft² (293 kg/m²)	56 lb/ft² (273 kg/m²)	61 lb/ft² (299 kg/m²)	57 lb/ft² (278 kg/m²)	
-	Operating Gallons (Max)	50 gallons (189 liters)		50 gallons (189 liters)		Model with components
-	Product Weight	60 lbs (27 kg)		84 lbs (38 kg)		
-	Soaking Depth	14 (356 mm)		14 (356 mm)		Motor/Pump
L	Outer Length	60" (1524 mm)		60" (1524 mm)		
W	Outer Width	30" (762 mm)	32" (813 mm)	30" (762 mm)	32" (813 mm)	Heater (if available)
H	Overall Height	20.25" (514 mm)		20.25" (514 mm)		
A	Overflow Height	15.25" (387 mm)		15.25" (387 mm)		
B	Deck Edge to Drain Center	8.25" (210 mm)		8.25" (210 mm)		
C	Short Edge to Drain Center	14.00" (356 mm)	16.00" (406 mm)	14.00" (356 mm)	16.00" (406 mm)	
D	Drain Shoe Length	6.25" (159 mm)		6.25" (159 mm)		
E	Deck/Flange Height	1.25" (32 mm)		1.25" (32 mm)		
F	Deck Width	3.75" (95 mm)		3.75" (95 mm)		
G	Service Access Dimensions	N/A		Removable Skirt Access		
I	Floor Cutout for Drain	12" x 4" (305 mm x 102 mm)		12" x 4" (305 mm x 102 mm)		
J	Interior Dimensions (bottom of bath) J(L) x J(W)	41.50" x 18.60" (1054 mm x 472 mm)		41.50" x 18.60" (1054 mm x 472 mm)		

KEY DIMENSIONS* [NOTE: The overall dimensions are nominal with a tolerance of +0 and -.25" (6mm).]

Top View Soaker Models



Top View Whirlpool Models



NOTE: Drawings not to scale.