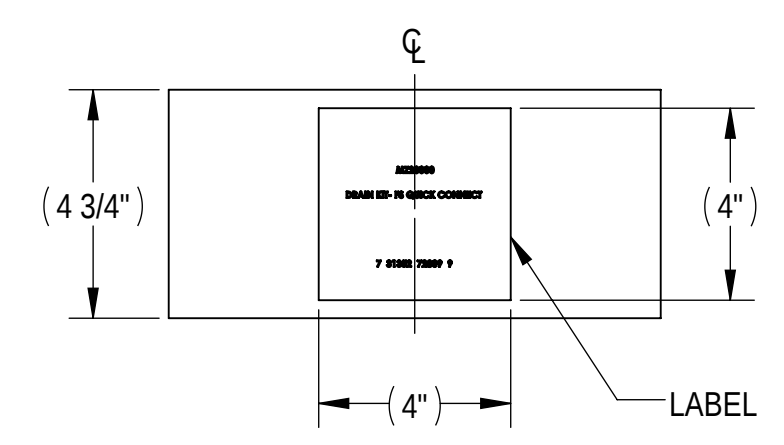
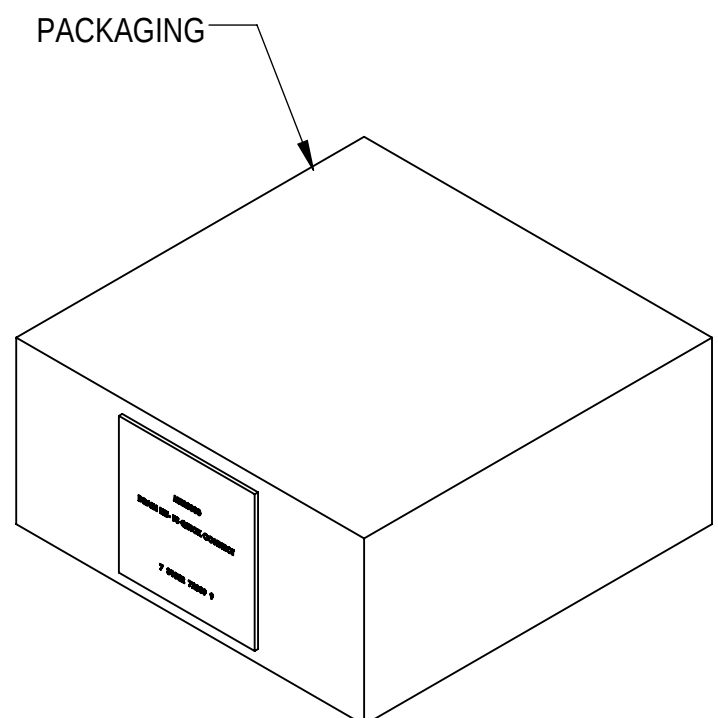
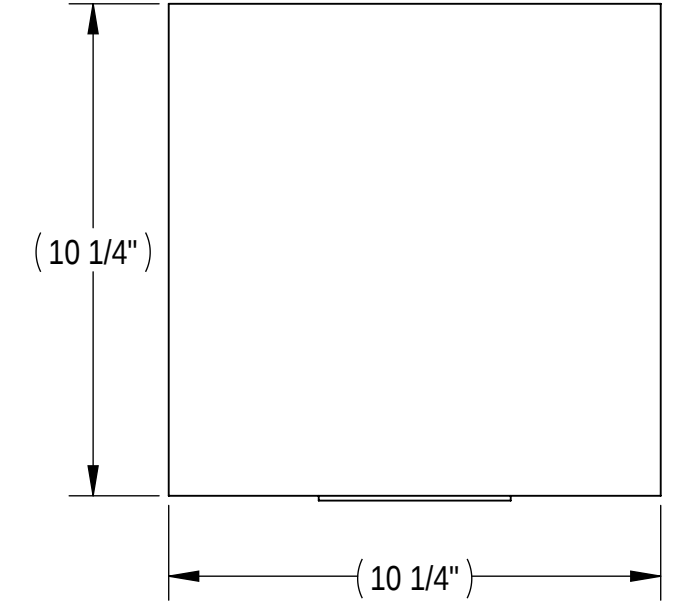
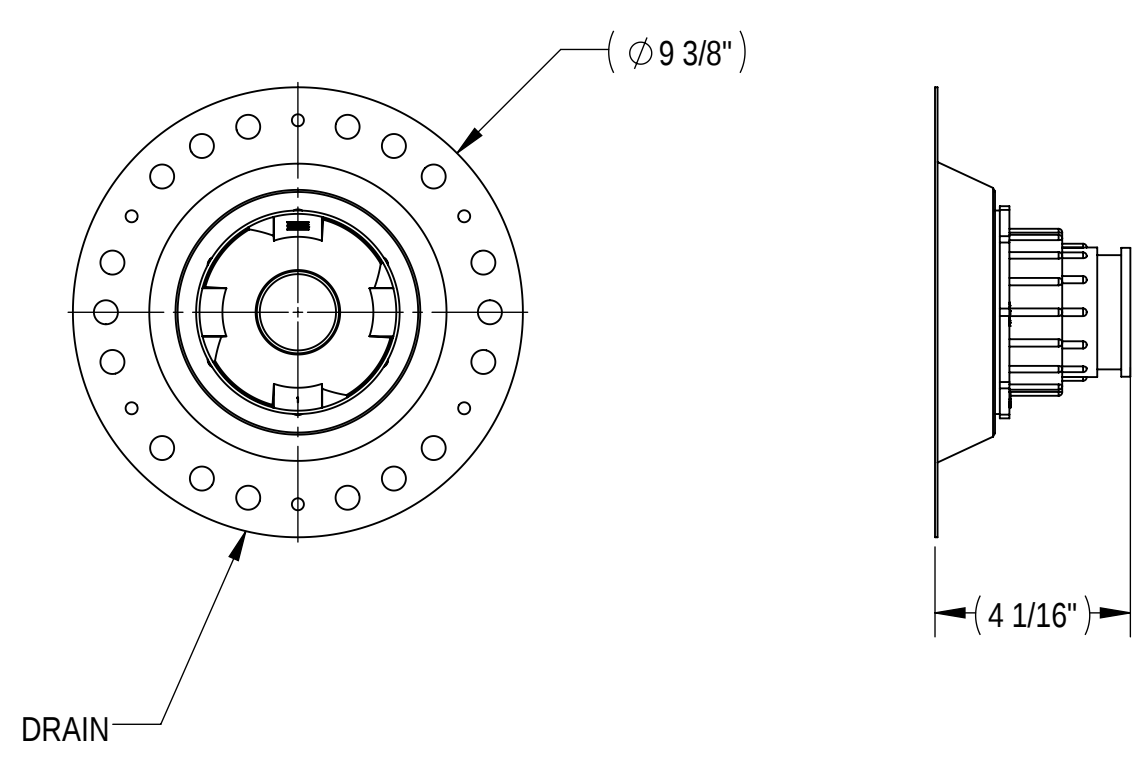


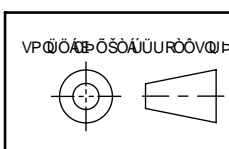
FIGURE 1: DIMENSIONS AND PACKAGING

- 1. INTERPRET DRAWING PER ASME Y14.5 - 2009
- 2. PARTS TO BE CLEAN, FREE OF OIL, GREASE, DIRT AND LOOSE PARTICLES
- 3. LABEL TO BE PLACED WHERE SHOWN

REVISION BLOCK				
REV.	ECO#	DESCRIPTION	DATE	CHANGE/APPROVED
A	09915	ENGINEERING RELEASE	11/08/16	FR



VOLUME AND WEIGHT		DRAIN ASSEMBLY	
QUANTITY	± .5	WEIGHT	± .5
QUANTITY	± .5	WEIGHT	± .5
QUANTITY	± .5	WEIGHT	± .5
TOTAL VOLUME	± .5	TOTAL WEIGHT	± .5
DESCRIPTION	ÚXÓ	DESCRIPTION	FFBFBI
REVISION	ΠΣΕ	DESCRIPTION	FFBFBI
		DESCRIPTION	FFBFBI



JACUZZI			
FIGURE 1: DIMENSIONS AND PACKAGING			
DRAIN ASSEMBLY			
QTY	TOTAL WEIGHT		TOTAL VOLUME
0	FFBFBI		FFBFBI
DESCRIPTION	FFBFBI		
REV.	ECO#	DESCRIPTION	DATE

C:\Users\jacob\AppData\Local\Temp\123456789\123456789.dwg