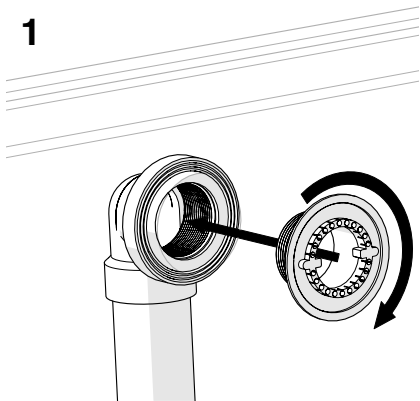


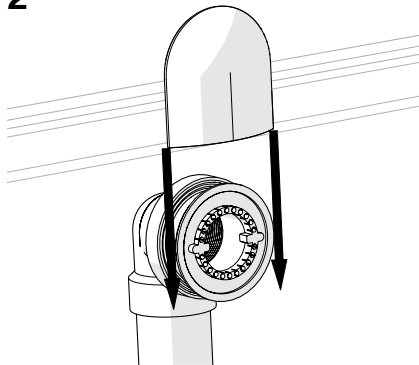


# SlideOn™

1



2



SlideOn™ Patent is owned by Oakville Stamping and Bending Limited (OS&B™)  
Le brevet SlideOn™ appartient à Oakville Stamping and Bending Limited (OS&B™)  
CAN Pat. N° 2644533. US Pat. N° 8266735

**OS&B™**  
[www.osb.ca](http://www.osb.ca)

FM6040SLIDEON