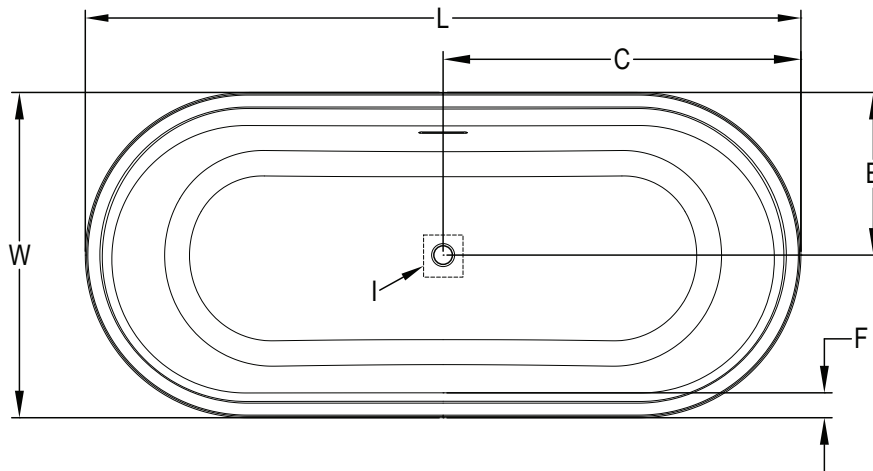


Leonora™ Technical Specifications

Letter	Description	Freestanding Soaking Bath Model
-	Drain Location	Center Drain
-	Cutout	N/A
-	Total Weight	894 lbs (406 kg)
-	Floor Loading	57.3 lb/ft ² (279.7 kg/m ²)
-	Operating Gallons (Min/Max)	58 Gal. (216 L)
-	Product Weight	410 lbs (186 kg)
-	Soaking Depth	13-3/4" (349.25 mm)
L	Outer Length	65" (1651 mm)
W	Outer Width	29-1/2" (749.3 mm)
H	Overall Height	23-1/2" (596.9 mm)
A	Overflow Height	19-11/16" (499.8 mm)
B	Short Edge to Drain Center	14-3/4" (375 mm)
C	Long Edge to Drain Center	32-1/2" (825.5 mm)
D	Drain Shoe Length	N/A
E	Flange Height	N/A
F	Deck Width	2-1/4" (57 mm)
G	Service Access Dimensions	N/A
I	Floor Cutout for Drain	4" x 4" (101 x 101 mm)
J	Interior Dimensions J (L) x J (W)	50-1/2" x 19-1/4" (1282 mm x 489 mm)
M	Backrest Angle	72°

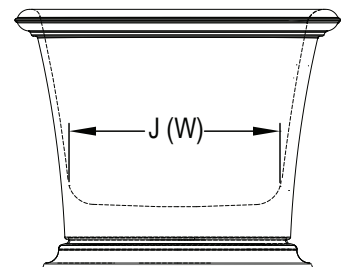
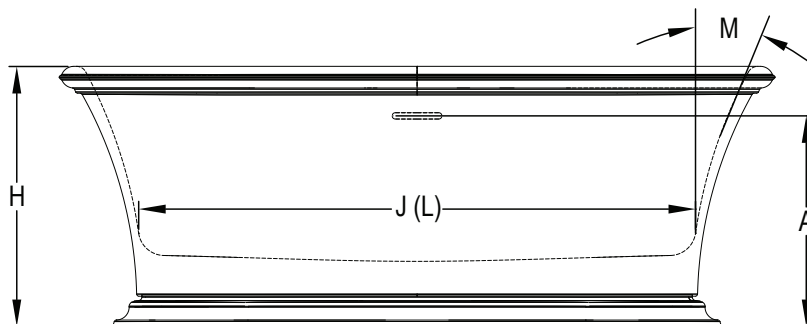
Key Dimensions



NOTE

The overall dimensions are nominal with a tolerance of +0 and - .25" (6mm).

*Deck width reflects only area indicated on detail.



©2017 Jacuzzi Luxury Bath • For additional information call Customer Service 800-288-4002 • www.jacuzzi.com/baths/

Refer to installation instructions included with fixture before beginning installation. Please confirm product availability and specifications before commencing with any installation work. PRODUCT SPECIFICATIONS AND AVAILABILITY ARE SUBJECT TO CHANGE WITHOUT NOTICE.