

Primo® Freestanding Bathtub Specifications

| Letter | Description | Soaking | |
|--------|---|--|--|
| | | 5930 | 6731 |
| - | Drain Location | Center Drain | Center Drain |
| - | Pump Location | N/A | N/A |
| - | Cutout Template | N/A | N/A |
| - | Total Weight | 836 lbs (380 kg) | 934 lbs (424 kg) |
| - | Floor Loading | 68 lb/ft ² (332 kg/m ²) | 64 lb/ft ² (312 kg/m ²) |
| - | Operating Gallons (Max) | 60 Gal (227 Liters) | 71 Gal (269 Liters) |
| - | Product Weight (Empty) | 88 lb (40 kg) | 95 lb (43 kg) |
| - | Soaking Depth | 16.1" (409mm) | 15.3" (389mm) |
| L | Outer Length | 59.0" (1499mm) | 67.0" (1702mm) |
| W | Outer Width | 30.0" (762mm) | 31.5" (800mm) |
| H | Overall Height | 23.0" (584mm) | 24.0" (610mm) |
| A | Overflow Height | 16.3" (414mm) | 15.5" (394mm) |
| B | Long Edge to Drain Center | 14.8" (376mm) | 15.8" (401mm) |
| C | Short Edge to Drain Center | 29.5" (749mm) | 33.5" (851mm) |
| D | Drain Shoe Length | N/A | N/A |
| E | Flange Height | N/A | N/A |
| F | Deck Width* | 2.1" (53 mm) | 2.1" (53 mm) |
| G | Service Access Dimensions | No Service Access | No Service Access |
| I | Floor Cutout for Drain | 4.0" x 4.0" (102mm x 102mm) | 4.0" x 4.0" (102mm x 102mm) |
| J | Interior Dimensions (JW x JL) (Bottom of Bath) | 18.3" x 37.2" (465mm x 945mm) | 19.5" x 42.1" (495mm x 1069mm) |
| K | Interior Dimensions (KW x KL) (Top of Bath) | 25.3" x 57.3" (643mm x 1455mm) | 25.8" x 64.0" (655mm x 1626mm) |
| L | Interior Depth - Drain End (D) | 18.5" (470mm) | 18.5" (470mm) |
| M | Backrest Angle | 30° | 33° |

NOTE

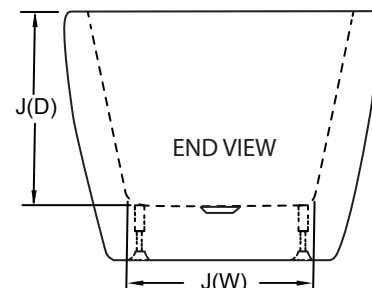
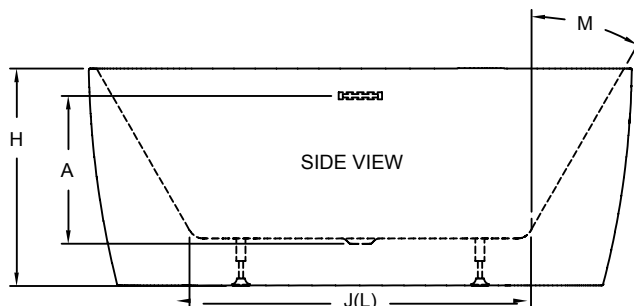
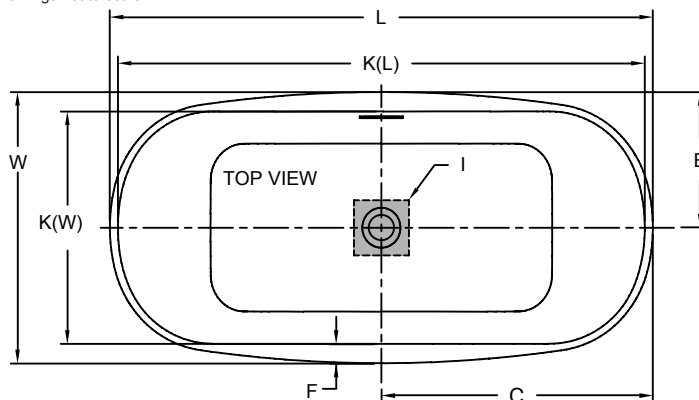
The overall dimensions are nominal with a tolerance of +0 and -.25" (6mm).

CAUTION: The integral overflow cover is not removable. The warranty will be voided if attempted.

KEY DIMENSIONS

Note: Drawings not to scale.

***Deck width reflects only area indicated on detail.**



©2017 Jacuzzi Luxury Bath • For additional information call Customer Service 800-288-4002 • www.jacuzzi.com/baths/
Refer to installation instructions included with fixture before beginning installation. Please confirm product availability and specifications before commencing with any installation work.
PRODUCT SPECIFICATIONS AND AVAILABILITY ARE SUBJECT TO CHANGE WITHOUT NOTICE.