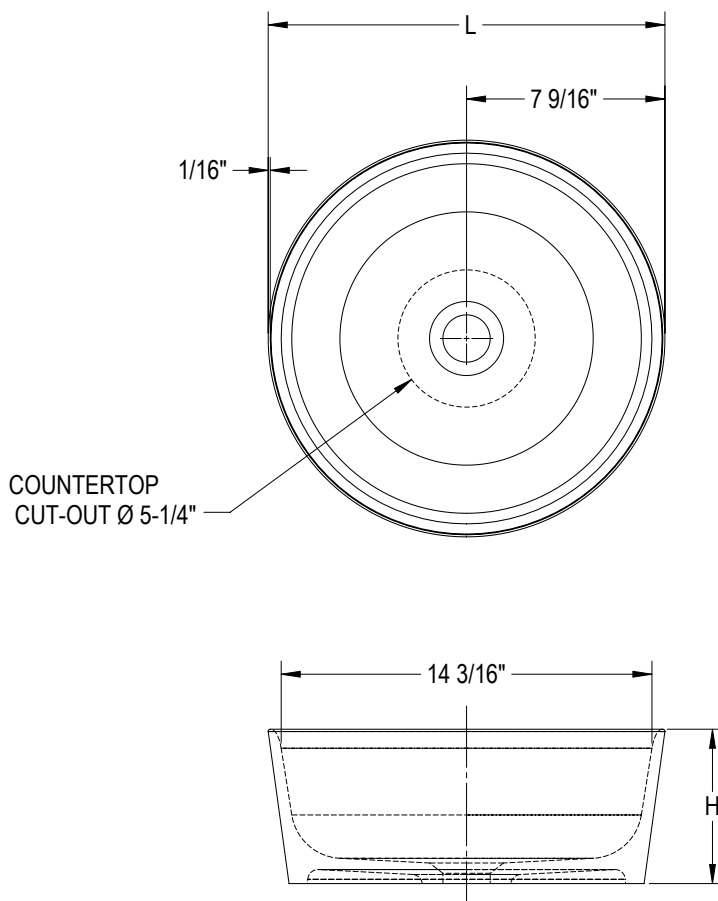


Leola™ Technical Specifications

Letter	Description	Under-Mount Counter Bathroom Sink
L	Outer Length	Ø18" (457.2 mm)
W	Outer Width	N/A
H	Overall Height	5-13/16" (146.63 mm)
-	Drain Hole	1-7/8" (47.625 mm)
-	Bowl Depth	5-1/8" (130.17 mm)
-	Faucet Hole	N/A
-	With Overflow	No
-	Bowl Configuration	Single
-	Installation	Under-Mount
-	Template	Yes
-	Compliance Certification	CSA B45.5-11/APMO Z124-2011

Key Dimensions



NOTES

Install this product according to the installation instructions.

The counter top manufacturer must use the cut-out template provided with the product. Jacuzzi is not responsible for cut-out errors.

This is an above-counter bathroom sink. Consider height when designing installation.