

Johanna™ Freestanding Bathtub

Letter	Description	Soaking	
		5930	6732
-	Drain Location	Universal	
-	Equipment Location	-	
-	Cutout Template	-	
-	Drop-In Cutout Dimensions (L x W)	-	-
-	Total Weight	738 lbs (335 kg)	814 lbs (369 kg)
-	Floor Loading	61 lb/ft ² (298 kg/m ²)	67 lb/ft ² (327 kg/m ²)
-	Operating Gallons (Min. /Max.)	51 Gal (193 L)	59 Gal (223 L)
-	Product Weight	62 lbs (28 kg)	71 lbs (32 kg)
-	Soaking Depth	13.5" (343 mm)	13.5" (343 mm)
L	Outer Length	59" (1499 mm)	67" (1702 mm)
W	Outer Width	29.6" (752 mm)	32" (813 mm)
H	Overall Height (Min./Max.)	21" / 24" (533 mm / 610 mm)	20.5" / 23.8" (521 mm / 605 mm)
A	Overflow Height	13.7" (348 mm)	13.7" (348 mm)
B	Long Edge to Drain Center	11.8" (300 mm)	13.5" (343 mm)
C	Short Edge to Drain Center	14.8" (376 mm)	16" (406 mm)
D	Drain Shoe Length	-	-
E	Flange Height	1.5" (38 mm)	1.5" (38 mm)
F	Deck Width*	1.4" (36 mm)	1.5" (38 mm)
G	Service Access Dimensions	No Service Access	No Service Access
I	Floor Cutout for Drain	4" x 4" (102 mm x 102 mm)	4" x 4" (102 mm x 102 mm)
J	Interior Dimensions Bottom of Bath (L x W)	41.5" x 20.7" (1054 mm x 526 mm)	47.8" x 21.8" (1214 mm x 554 mm)
K	Interior Dimensions Top of Bath (L x W)	54.9" x 26.5" (1394 mm x 673 mm)	63.1" x 29.2" (1603 mm x 742 mm)
L2	Interior Depth - Drain End	16.5" (419 mm)	16.5" (419 mm)
M	Backrest Angle	25°	30°
N	Footprint (L x W)	38.8" x 21.8" (986 mm x 554 mm)	42.3" x 22" (1074 mm x 559 mm)

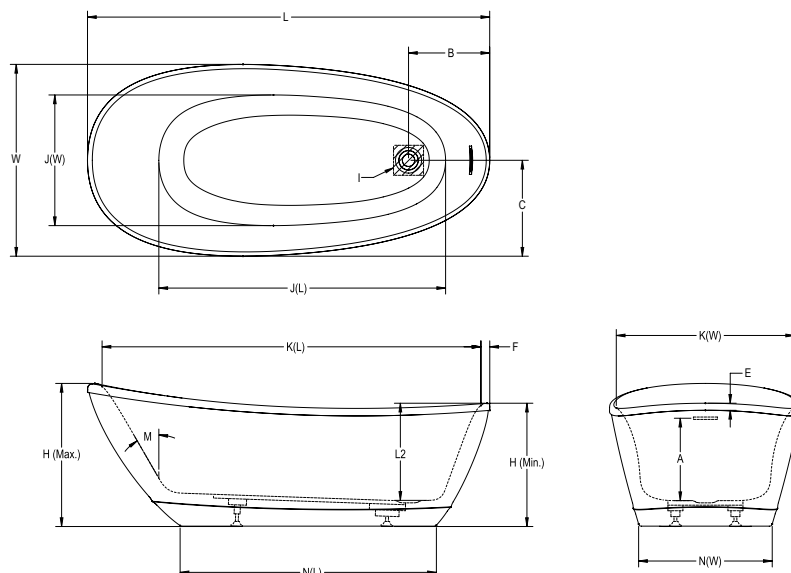
NOTE

The overall dimensions are nominal with a tolerance of +0 and -.25" (6 mm).

CAUTION: The integral overflow cover is not removable. The warranty will be voided if attempted.

KEY DIMENSIONS

*Deck width reflects only area indicated on detail.



©2020 Jacuzzi Luxury Bath • For additional information, call Customer Service 800-288-4002 • www.jacuzzi.com/baths
 Refer to installation instructions included with fixture before beginning installation. Please confirm product availability and specifications before commencing with any installation work.

PRODUCT SPECIFICATIONS AND AVAILABILITY ARE SUBJECT TO CHANGE WITHOUT NOTICE