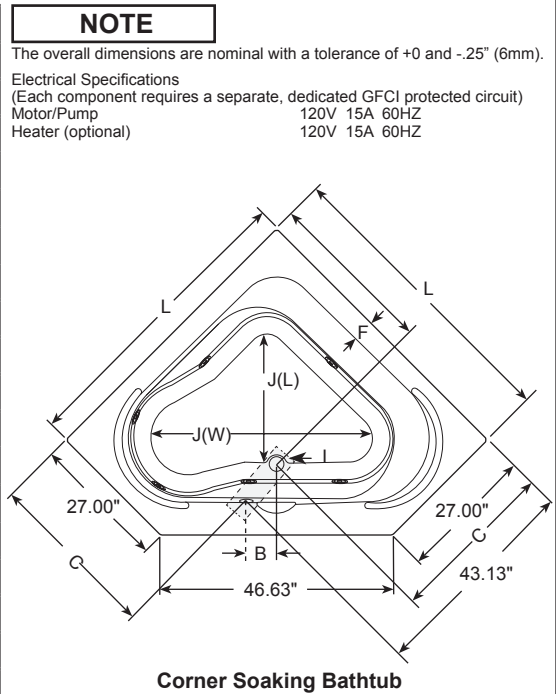


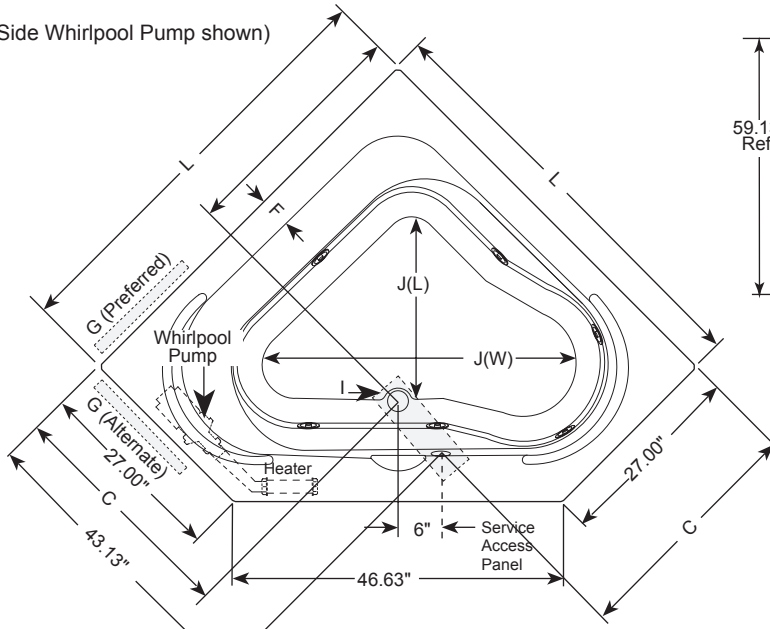
Capella® 6060 Whirlpool And Soaking Bathtubs

Letter	Description	Whirlpool	Soaking
-	Drain Location	Center Drain	
-	Whirlpool Pump Location	Right Hand / Left Hand	N/A
-	Cutout	See Illustration Below	
-	Total Weight	1122 lb (509 kg)	1102 lb (500 kg)
-	Floor Loading	45 lb/ft ² (219 kg/m ²)	41 lb/ft ² (200 kg/m ²)
-	Operating Gallons (Min/Max)	52 Gal (197 L) / 84 Gal (318 L)	
-	Product Weight	122 lb (55 kg)	102 lb (46 kg)
L	Outer Length	60.00" (1524 mm)	
W	Outer Width	60.00" (1524 mm)	
H	Overall Height	20.50" (521 mm)	
A	Overflow Height	19.50" (495 mm)	
B	Long Edge to Drain Center	12.13" (308 mm)	
C	Short Edge to Drain Center	34.94" (887 mm)	
D	Drain Shoe Length	11.00" (229 mm)	
E	Deck Height	2.00" (51 mm)	
F	Deck Width	3.75" (95 mm)	
G	Service Access	12.00 x 18.00" (305 x 457 mm)	N/A
I	Floor Cutout for Drain	12.00 x 4.00" (305 x 102 mm)	
J	Interior Dimensions: J(W) x J(L)	34.00 x 50.00" (864 x 1270 mm)	

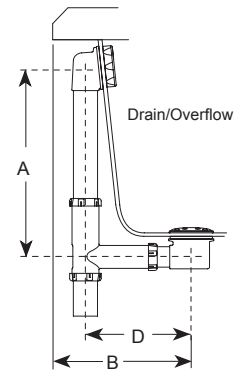
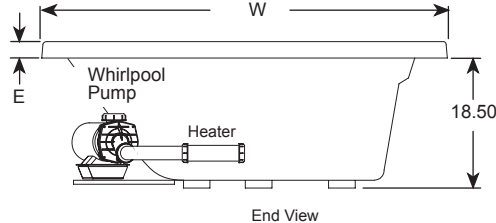
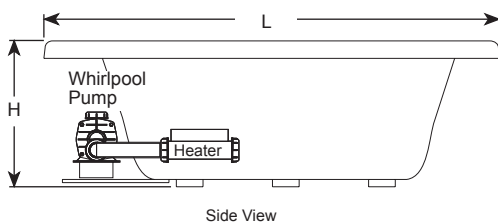
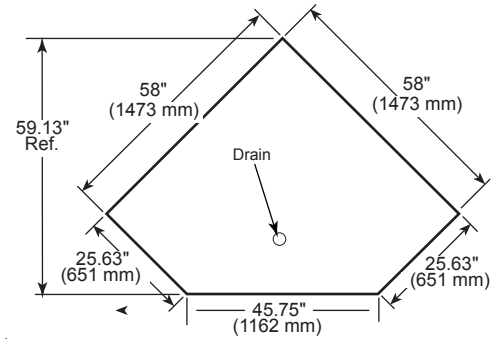


Key Dimensions

(Center Drain / Left Side Whirlpool Pump shown)



*Deck width reflects only area indicated on detail.



NOTE: Drawings not to scale.