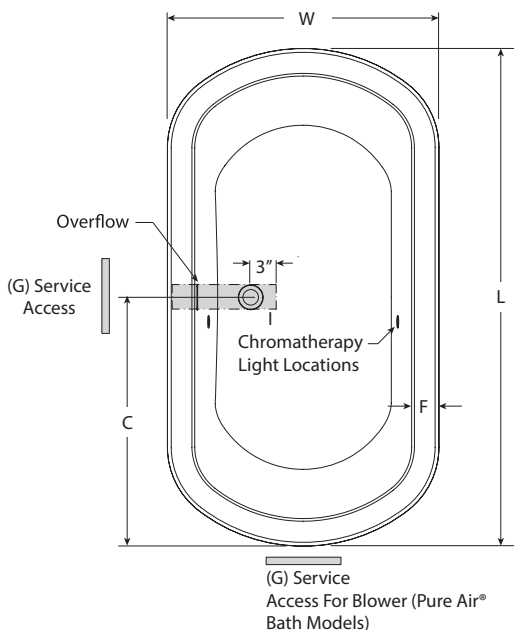
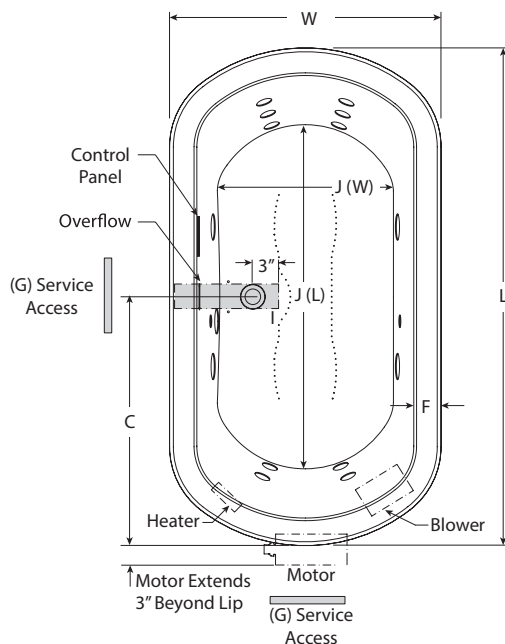


**Duetta® - Technical Specifications for 6636 Models**

Letter	Description	SOAKING	PURE AIR® BATH	WHIRLPOOL	SALON® SPA	Each component requires a separate, dedicated GFCI protected circuit			
-	Drain/Motor Location	Center Drain/Right Side Motor And/Or Blower				Model with components	GFCI Outlet (60Hz)		
-	Cutout Location	Template Provided P/N DA08000							
-	Total Weight	979 lbs (444 kg)	1029 lbs (467 kg)	1044 lbs (473 kg)	1064 lbs (483 kg)	SOAKING	Soaker only	None	
-	Floor Loading	59 lb/ft <sup>2</sup> (290 kg/m <sup>2</sup> )	62 lb/ft <sup>2</sup> (304 kg/m <sup>2</sup> )	63 lb/ft <sup>2</sup> (309 kg/m <sup>2</sup> )	64 lb/ft <sup>2</sup> (315 kg/m <sup>2</sup> )		Soaker w/ Chromatherapy	PURE AIR®	Blower
-	Operating Gallons (Max)	79 gallons (299 liters)				Chromatherapy (if available)			
-	Product Weight	71 lbs (32 kg)	121 lbs (55 kg)	136 lbs (62 kg)	156 lbs (71 kg)	WHIRLPOOL	Motor/Pump	120V 20A	
-	Soaking Depth	17.5" (444.50 mm)					Heater (if available*) *Heater circuit not required on units equipped with Whisper+ Technology™		Salon® Spa
L	Outer Length	66" (1676 mm)				Salon® Spa	Blower	120V 15A	
W	Outer Width	36" (914 mm)							
H	Overall Height	26" (660 mm)							
A	Overflow Height	17.9" (455 mm)							
B	Long Edge to Drain Center	11" (279 mm)							
C	Short Edge to Drain Center	33" (383 mm)							
D	Drain Shoe Length	7.25" (184 mm)							
E	Deck Height	0.50" (13 mm)							
F	Deck Width	3.875" (98 mm)							
G	Service Access Dimensions	12" x 18" (305 mm x 457 mm)							
I	Floor Cutout for Drain	12" x 6" (305 mm x 152 mm)							
J	Interior Dimensions (bottom of bath) L x W	44" x 23" (1118 mm x 584 mm)							

**Key Dimensions**

 Duetta® Soaking And Pure Air® Bath Models  
(Soaking Bath Shown)

 Duetta® Whirlpool And Salon® Spa Models  
(Salon® Spa Shown)


All Models

