



specifications

MODEL

- MX22827 ROMAN TUB FILLER - POLISHED CHROME
- MX22826 ROMAN TUB FILLER - BRUSHED NICKEL

FEATURES

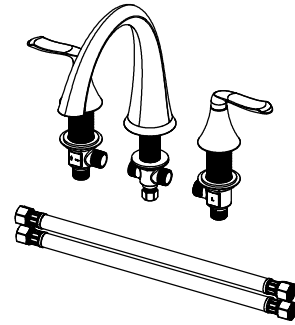
- Ceramic Cartridge
- Lever Style Handle
- 1/2" IPS connections
- Min Flow Rate: 2.4 GPM at 20 PSI

CODE COMPLIANCE

- ASME A112.18.1 / CSA B125.1
- IAPMO Certified

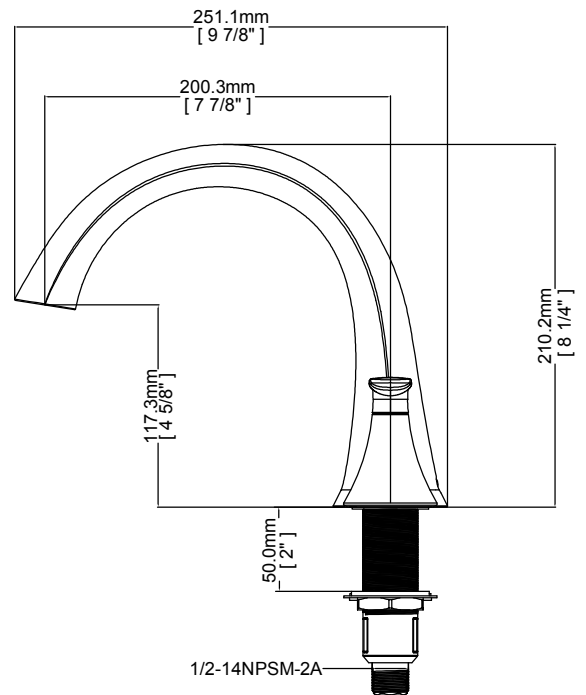
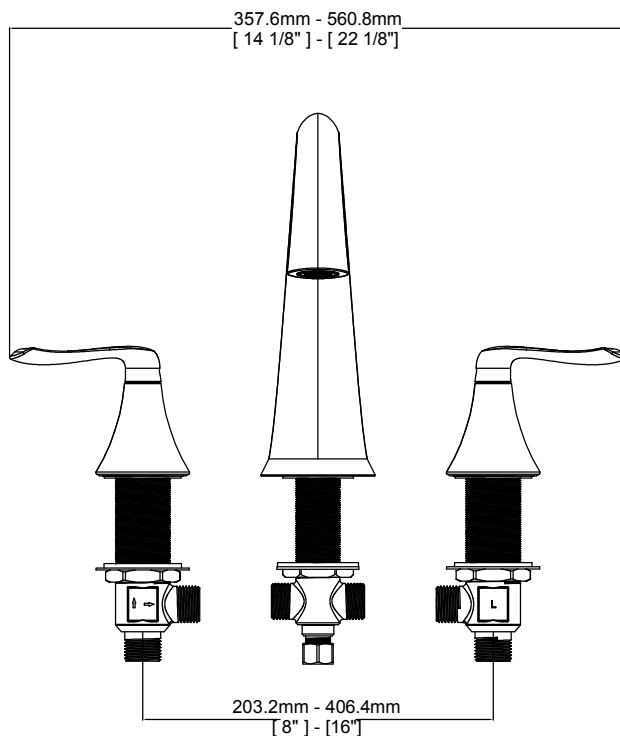
WARRANTY

- Limited Lifetime Warranty



ROMAN TUB FILLER

MODEL	FINISH
MX22827	Polished Chrome
MX22826	Brushed Nickel



INSTALLATION DIMENSIONS

Jacuzzi reserves the right to make changes in specifications and materials and to change and discontinue models, both without the notice or obligation. Dimensions are for reference only.