



**STELLA™, SIENA™
& CELESTE™
FREESTANDING BATHS**

INSTALLATION AND OPERATION INSTRUCTIONS

Jacuzzi Luxury Bath
14525 Monte Vista Avenue
Chino, CA 91710
1-800-288-4002
www.jacuzzi.com

Contents	
Contents	2
Product Information	2
Important Safety Instructions	3
Inspection and Testing	4
Framing and Support	4
Installation Instructions for Tubs with Integral Overflow	4
Maintenance	5
Stella™ Freestanding Bath Specifications	6
Siena™ Freestanding Bath Specifications	7
Celeste™ Freestanding Bath Specifications	8
Authorized Service	9
Warranty	10
Notes:	12
Warranty Registration Card	13

Product Information

NOTE

Save these instructions for future use. Use the form below to record your model and serial number for future reference.

Date Purchased _____

Purchased From _____

Installed By _____

Serial Number _____

Model _____

Installer: Leave the manual for the homeowner.
Homeowner: Read this manual and keep for future reference.

Dealer/Installer
Information

Dealer/Installer
Information

Important Safety Instructions

This is a professional grade product. A working knowledge of construction techniques, plumbing and electrical installation according to codes are required for proper installation and user satisfaction. We recommend that a licensed contractor perform the installation of all Jacuzzi® products. Our warranty does not cover improper installation-related problems.

READ AND FOLLOW ALL INSTRUCTIONS. SAVE THESE INSTRUCTIONS.

Use this unit only for its intended use as described in this manual. Do not use attachments not recommended by the manufacturer.



RISK OF ACCIDENTAL INJURY OR DROWNING! Do not permit children to use this unit unless they are closely supervised at all times.



RISK OF ELECTRIC SHOCK! Do not permit electrical appliances (such as a hair dryer, lamp, telephone, radio or television) within 60" (1524mm) of this bathtub.



PROLONGED IMMERSION IN HOT WATER MAY INDUCE HYPERTHERMIA! Hyperthermia occurs when the internal temperature of the body reaches a level several degrees above the normal body temperature of 98.6°F (37°C). The symptoms of hyperthermia include an increase in the internal temperature of the body, dizziness, lethargy, drowsiness and fainting. The effects of hyperthermia include:

- A. Failure to perceive heat.
- B. Failure to recognize the need to exit the bath.
- C. Unawareness of impending hazard.
- D. Fetal damage in pregnant women.
- E. Physical inability to exit the bath.
- F. Unconsciousness resulting in danger of drowning.



This equipment is intended for indoor use only. Install the equipment in accordance with these instructions.



To avoid injury, use care when entering and exiting the bathtub.



Do not use drugs or alcohol before or during the use of a bathtub. Possible drowning may occur.



Use this unit only for its intended use as described in this manual.



Water temperature in excess of 104°F (40°C) may be injurious to your health. Check and adjust water temperature before use.

SAVE THESE INSTRUCTIONS.

The Company has obtained applicable code (standards) listings generally available on a national basis for products of this type. It is the responsibility of the installer/owner to determine specific local code compliance prior to installation of the product. Proper installation of the units is the responsibility of the installer. Jacuzzi Luxury Bath is not responsible for water damage due to improper installation. Product specifications are subject to change without notice.

Inspection and Testing

Visual Inspection

- 1 Remove the bathtub from the shipping packaging. Be careful not to scratch the surface of the bathtub with exposed staples, screws, or nails. Retain the packaging until satisfactory inspection of the product has been made.
- 2 Inspect the shell and bathtub components. Should inspection reveal any damage or defect in the finish or visible damage to any components, do not install the bathtub. Damage or defect to the finish claimed after the bathtub is installed is excluded from the warranty. Jacuzzi Luxury Bath responsibility for shipping damage ceases upon delivery of the products in good order to the carrier.
- 3 Refer any claims for damage to the carrier. For definitions of warranty coverage and limitations, refer to the published warranty information packaged with the product or in the back of this manual. Please note: blemishes, air holes, or casting marks on the underside of the bath are not considered defects and do not affect performance or quality of bath.

Bathtub Water and Operational Test

All bathtub units are factory tested for proper operation and watertight connections prior to shipping. However, the unit must be retested by the installer prior to installation. Jacuzzi Luxury Bath is not responsible for any defect that could have been discovered, repaired, or avoided by following this inspection and testing procedure:

- 1 Place the bathtub on a level surface, near appropriate water supply, and water drainage. A driveway is a suitable choice.
- 2 Cover the drain and overflow hole with tape or a stopper and fill the bathtub to the bottom of the overflow hole.
- 3 Allow bathtub to stand for 5 minutes.
- 4 Visually inspect for leaks. Do not install the bathtub if leaks are detected.
- 5 Return bathtub to packaging or otherwise protect from damage until time of installation.



Framing and Support

READ ALL INSTALLATION INSTRUCTIONS COMPLETELY. IMPROPER INSTALLATION WILL VOID THE WARRANTY.

IMPORTANT

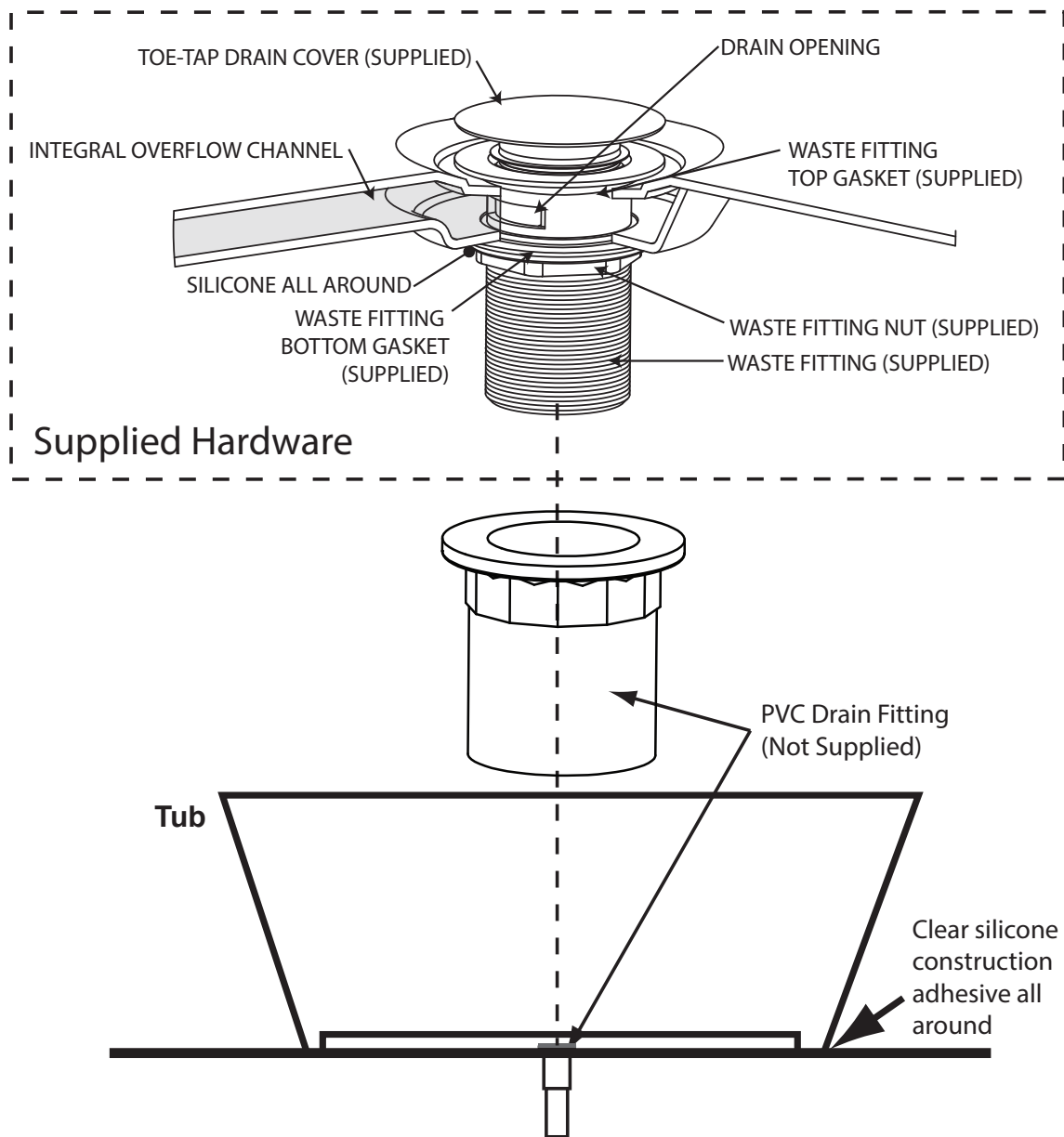
- Make sure that walls and floors meet fire safety requirements of local building code and/or FHA/HUD Minimum Property Standards.
- Observe all governing codes and ordinances.
- Proper installation is your responsibility. Have a qualified technician install this bathtub.
- Ensure location is structurally sound, flat and level. A Technical Specification has been included with your bathtub. The Technical Specification will contain pertinent information regarding your product. Locate the Technical Specification at this time.

Installation Instructions for Tubs with Integral Overflow

- 1 Install the metal drain/waste fitting (supplied with the tub) into the drain hole as illustrated (Figure 1). Ensure that the drain opening on the waste fitting is situated in the integral overflow channel (Figure 1).
 -  CAUTION! The integral overflow cover is not removable. The warranty will be voided if attempted.
- 2 Use clear silicone to adhere the bottom gasket to the underside of the integral overflow channel (Figure 1).
- 3 Secure the waste fitting with the supplied waste fitting nut. Apply thread sealant to the threads prior to inserting the nut. Overtightening the nut may cause shell damage. Ensure the drain opening on the waste fitting is not exposed after tightening of the nut.
- 4 Install a PVC thread adaptor (not supplied) to the metal waste fitting. This is to provide a PVC to PVC connection to the stub up in the floor. Water test fitting for leaks before installation. NOTE: Use PVC Cement per ASTM D 2564 on all PVC joints.
- 5 Carefully lift the tub and apply a bead of clear silicone or construction adhesive to the bottom edge of the tub (Figure 1).
 -  CAUTION! Before applying construction adhesive, please make sure that the permanent location of the bathtub has been determined.
- 6 Carefully lower tub over the drain stub up in the floor. Thread the metal toe-tap drain cover (supplied) into the waste fitting. Wipe off excess silicone or construction adhesive with a clean cloth.

Installation Instructions for Tubs with Integral Overflow (Continued)

Fig. 1



Maintenance

Cleaning The Bathtub

To clean the bathtub, use a mild Meguiar's nonabrasive liquid detergent solution. You can protect and restore the luster to a dulled acrylic surface by applying Meguiar's #10 Mirror Glaze, a product specifically designed for use on acrylic finishes.



Never use abrasive household cleaners of any kind on any Jacuzzi® Product.

Surface Repair

Minor scratches which do not penetrate the color finish can be removed by lightly sanding with #600-grit wet and dry sandpaper. Restore the gloss using Meguiar's Mirror Glaze. Major scratches and gouges which penetrate the acrylic surface will require refinishing. Call Jacuzzi Luxury Bath at 1-800-288-4002 to find a service agent in your area.

Stella™ Freestanding Bathtub Specifications

Letter	Description	Soaking
-	Drain Location	Universal End Drain
-	Pump Location	N/A
-	Cutout Template	N/A
-	Total Weight	912 lb (414 kg)
-	Floor Loading	59 lb/ft ² (288 kg/m ²)
-	Operating Gallons (Min/Max)	67 Gal (254 L)
-	Product Weight - Empty	104 lb (47 kg)
-	Soaking Depth	15.00" (381 mm)
L	Outer Length	67.00" (1702 mm)
W	Outer Width	31.00" (787 mm)
H	Overall Height	28.25" (718 mm)
J	Interior Dimensions (JW x JL) Bottom of Bath	19.38" x 40.50" (492 mm x 1029 mm)
K	Interior Dimensions (KW x KL) Top of Bath	28.25" x 64.00" (718 mm x 1626 mm)
L	Interior Depth - Drain End (D)	17.75" (451 mm)
A	Overflow Height	15.25" (387 mm)
B	Long Edge to Drain Center	15.62" (397 mm)
C	Short Edge to Drain Center	13.38" (340 mm)
D	Drain Shoe Length	N/A
E	Flange Height	N/A
F	Deck Width*	1.50" (38 mm)
G	Service Access Dimensions	No Service Access
I	Floor Cutout for Drain	4.00" x 4.00" (102 mm x 102 mm)
M	Backrest Angle	35°

NOTE

The overall dimensions are nominal with a tolerance of +0 and -.25" (6mm).

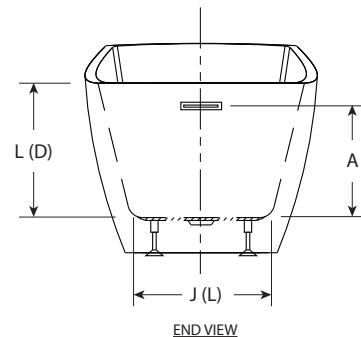
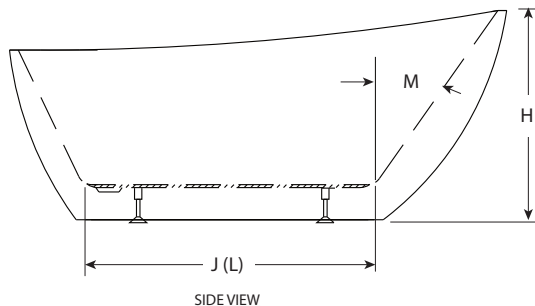
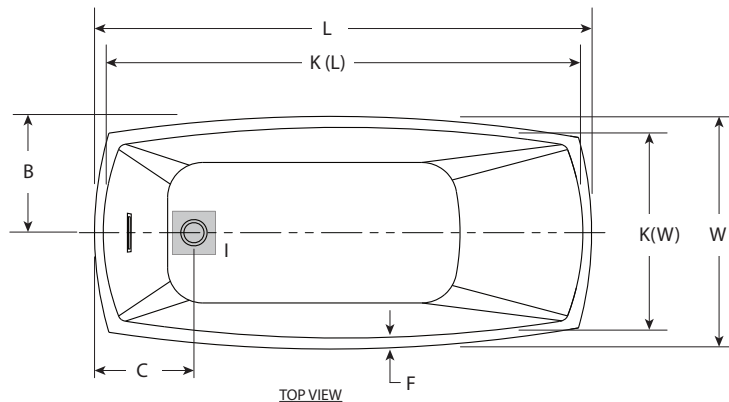


CAUTION: The integral overflow cover is not removable. The warranty will be voided if attempted.

Key Dimensions

NOTE: Drawings not to scale.

*Deck width reflects only area indicated on detail.



Siena™ Freestanding Bathtub Specifications

Letter	Description	Soaking
-	Drain Location	Center Drain
-	Pump Location	N/A
-	Cutout Template	N/A
-	Total Weight	885 lb (401 kg)
-	Floor Loading	54 lb/ft ² (264 kg/m ²)
-	Operating Gallons (Min/Max)	90 gal (341 L)
-	Product Weight - Empty	138 lb (63 kg)
-	Soaking Depth	18.00" (457 mm)
L	Outer Length	69.00" (1752 mm)
W	Outer Width	34.00" (863 mm)
H	Overall Height	24.00" (610 mm)
J	Interior Dimensions (JW x JL) Bottom of Bath	17.50" x 39.00" (444 mm x 990 mm)
K	Interior Dimensions (KW x KL) Top of Bath	28.20" x 60.10" (716 mm x 1527 mm)
L	Interior Depth - Drain End (D)	20.80" (528 mm)
A	Overflow Height	18.30" (465 mm)
B	Long Edge to Drain Center	34.50" (876 mm)
C	Short Edge to Drain Center	17.00" (431 mm)
D	Drain Shoe Length	N/A
E	Flange Height	N/A
F	Deck Width*	5.10" / 2.80" (130 mm / 71 mm)
G	Service Access Dimensions	No Service Access
I	Floor Cutout for Drain	4.00" x 4.00" (102 mm x 102 mm)
M	Backrest Angle	26°

NOTE

The overall dimensions are nominal with a tolerance of +0 and -.25" (6mm).

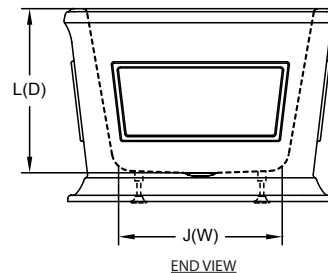
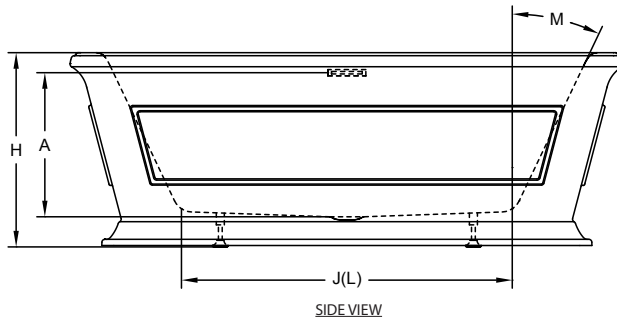
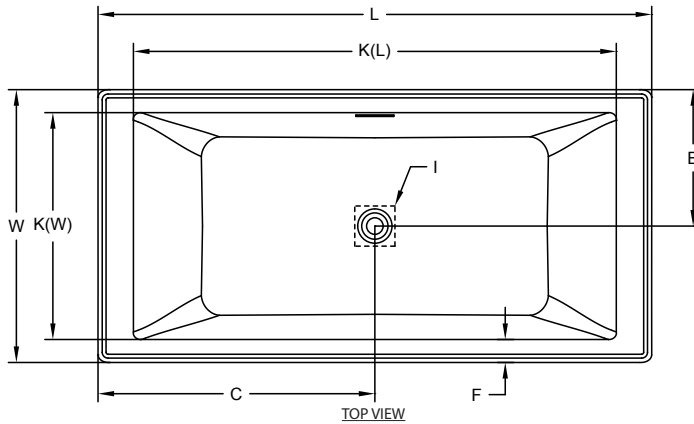


CAUTION: The integral overflow cover is not removable. The warranty will be voided if attempted.

Key Dimensions

NOTE: Drawings not to scale.

*Deck width reflects only area indicated on detail.



©2015 Jacuzzi Luxury Bath • For additional information call Customer Service 800-288-4002 • www.jacuzzi.com/baths/

Refer to installation instructions included with fixture before beginning installation. Please confirm product availability and specifications before commencing with any installation work
 PRODUCT SPECIFICATIONS AND AVAILABILITY ARE SUBJECT TO CHANGE WITHOUT NOTICE.

Celeste™ Freestanding Bathtub Specifications

Letter	Description	Soaking
-	Drain Location	Universal End Drain
-	Pump Location	N/A
-	Cutout Template	N/A
-	Total Weight	916 lb (415 kg)
-	Floor Loading	59 lb/ft ² (288 kg/m ²)
-	Operating Gallons (Min/Max)	67 Gal (254 L)
-	Product Weight - Empty	110 lb (50 kg)
-	Soaking Depth	14.50" (368 mm)
L	Outer Length	70.00" (1778 mm)
W	Outer Width	32.00" (813 mm)
H	Overall Height	23.00" (584 mm)
J	Interior Dimensions (JW x JL) Bottom of Bath	18.06" x 49.86" (459 mm x 1266 mm)
K	Interior Dimensions (KW x KL) Top of Bath	26.55" x 64.89" (674 mm x 1648 mm)
L	Interior Depth - Drain End (D)	17.72" (450 mm)
A	Overflow Height	14.75" (375 mm)
B	Long Edge to Drain Center	15.81" (402 mm)
C	Short Edge to Drain Center	35.00" (889 mm)
D	Drain Shoe Length	N/A
E	Flange Height	N/A
F	Deck Width*	2.50" (64 mm)
G	Service Access Dimensions	No Service Access
I	Floor Cutout for Drain	4.00" x 4.00" (102 mm x 102 mm)
M	Backrest Angle	24°

NOTE

The overall dimensions are nominal with a tolerance of +0 and -.25" (6mm).

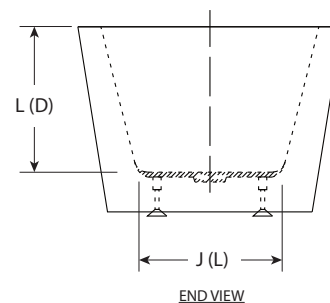
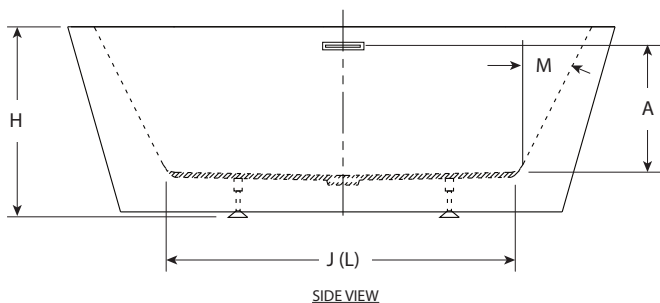
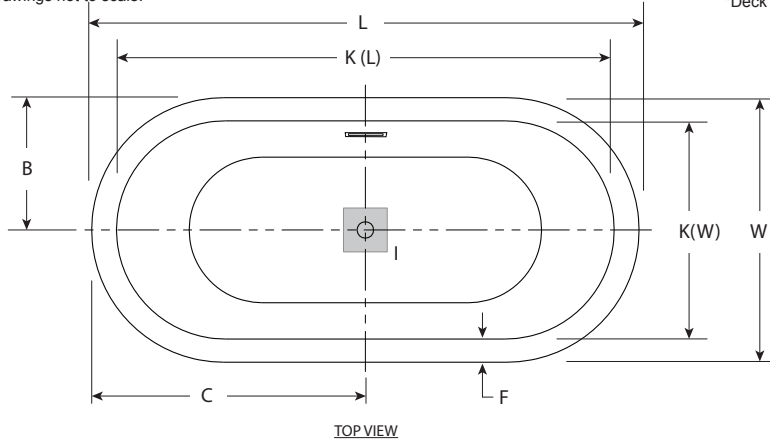


CAUTION: The integral overflow cover is not removable. The warranty will be voided if attempted.

Key Dimensions

NOTE: Drawings not to scale.

*Deck width reflects only area indicated on detail.



©2015 Jacuzzi Luxury Bath • For additional information call Customer Service 800-288-4002 • www.jacuzzi.com/baths/

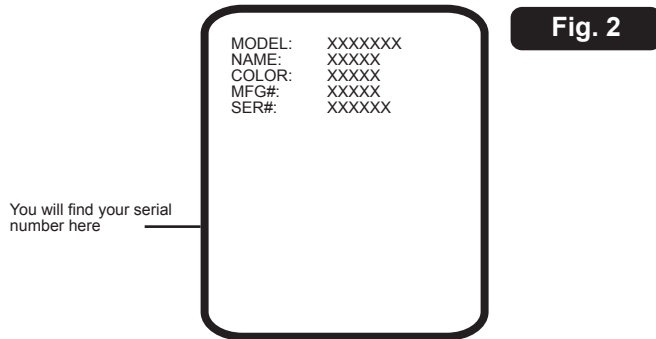
Refer to installation instructions included with fixture before beginning installation. Please confirm product availability and specifications before commencing with any installation work
 PRODUCT SPECIFICATIONS AND AVAILABILITY ARE SUBJECT TO CHANGE WITHOUT NOTICE.

Authorized Service

If you need a referral for a service company near you, or need assistance with operation or maintenance-related questions, please call our Service Support Department at 1-800-288-4002. Visit our website at www.jacuzzi.com for products, services, and an online copy of these Installation and Operation Instructions.

When requesting service or technical assistance please have available both the model and serial number of your unit. This information can be obtained from the product registration card provided with your unit. If the card has been misplaced, this information can be obtained from the specification/serial number label on the unit itself (Figure 2). The label is located on the exterior wall of the bathtub near the overflow drain.

SPECIFICATION/SERIAL NUMBER LABEL



PRODUCT SPECIFICATIONS ARE SUBJECT TO CHANGE WITHOUT NOTICE.

USE TECHNICAL SPECIFICATIONS MANUAL SUPPLIED WITH PRODUCT.

Jacuzzi Luxury Bath has obtained applicable code (standards) listings generally available on a national basis for products of this type. It is the responsibility of the installer/owner to determine specific local code compliance prior to installation of the product. Jacuzzi Luxury Bath makes no representation or warranty regarding, and will not be responsible for any code compliance.

Jacuzzi Luxury Bath
14525 Monte Vista Avenue
Chino, California, 91710
1-800-288-4002
www.jacuzzi.com

Limited Lifetime Warranty on Jacuzzi® Branded Bathtubs for the Stella™ and Celeste™ Freestanding Bath Series

Jacuzzi Luxury Bath (the “Company”) offers the following expressed limited lifetime warranty to the original purchaser of any Jacuzzi Luxury Bath products provided in the Company’s Stella™ and Celeste™ Freestanding Baths (“Bath”) who purchases the Bath for personal or single family residential use (“User”): The Company will repair or replace, at its sole option, the Bath or its equipment in accordance with the following terms and conditions. This warranty does not apply to non-branded Bath products manufactured by the Company.

LIFETIME WARRANTY ON BATHS

The Company extends to the User of the Bath a non-transferable limited lifetime warranty that the shell will maintain its structural integrity and configuration and be free of water loss due to a defect in the bathtub shell. This warranty covers only the bathtub shell and the manufacturer installed pump, jets, controls, and blower against defects in material or workmanship. This warranty does not apply to any display models or to any options or accessories which are covered under our limited ninety (90) day warranty set forth below. Warranty coverage begins on the date the unit was originally purchased by the User and upon receipt by the Company of a completely filled out Warranty Registration Card as described below.

2-YEAR LABOR WARRANTY FOR ALL FACTORY INSTALLED COMPONENTS

Our limited labor warranty is for a period of two (2) years from the date the unit was originally purchased by the User, but not more than three (3) Years from date of manufacture. All factory installed components (e.g., pump, motor, blower, and plumbing) are covered under our labor warranty against failure due to defects in materials and workmanship.

90-DAY (PARTS ONLY) LIMITED WARRANTY ON OPTIONS AND ACCESSORIES

Our limited warranty on options and accessories is for ninety (90) days for parts only. Our warranty covers options and accessories manufactured (e.g., drains fill spout kits, trim kits, skirts, video monitors, LCD flat panel screens, CD and MP3 players and other music and video devices and optional heaters) against defects in material or workmanship. Warranty coverage begins on the date the option or accessory was originally purchased by the User. These items may be covered by a manufacturer’s warranty which may have a longer duration than this limited warranty. Please confirm with the manufacturer the duration of the appropriate warranty for Options and Accessories.

WARRANTY LIMITATIONS

Our limited warranty does not cover defects, damage, or failure caused by the common carrier, installer, user, or other persons, pets, or rodents, or resulting from, without limitation, any of the following: careless handling (lifting unit by plumbing, abrading finish, etc.) including its own negligence; modification of any type for any reason (including modification to meet local codes); improper installation (including installation not in accordance with instructions and specifications provided with the unit); connections supplied by the installer of the equipment; improper voltage supply or unauthorized electrical modification; misuse; incorrect operation, or lack of proper routine maintenance; operation of the unit without specified minimum amount of water or at inappropriate water temperature; use of abrasive or improper cleaners; or acts of God, such as lightning, floods, earthquakes, etc.

In addition, THE COMPANY WILL NOT BE RESPONSIBLE FOR INCIDENTAL OR CONSEQUENTIAL DAMAGES or losses arising from any cause (e.g., water damage to carpet, ceiling, tiles, marble, loss of use, etc.) including its own negligence; damages to, respecting, or resulting from: plated parts when pool and/or spa chemicals are used in the unit or hard water conditions; optional bathtub equipment not manufactured by the Company but supplied by Dealer, installer or the Company; the unit’s prior usage as an operational display; or defects that should have been discovered before installation.

This limited warranty does not include: labor, transportation, or other costs incurred in the removal and/or reinstallation of the original unit and/or installation of a replacement unit; any costs relating to obtaining access for repair; or loss of use damage, including loss of sales, profit or business advantage of any kind under any circumstances. Bathtub units are excluded from any warranty coverage if any addition, deletion, or modification of any kind whatsoever has been made to the unit (or to any component). Warranty coverage is provided in the United States of America and Canada only.

EXCLUSION OF IMPLIED WARRANTIES

IMPLIED WARRANTIES OF MERCHANTABILITY AND FITNESS FOR A PARTICULAR PURPOSE ARE DISCLAIMED ALTOGETHER OR TO THE FULLEST EXTENT ALLOWED BY LAW.

NOTICE: This warranty gives you specific legal rights, and you may also have other rights which vary from state to state. There are no warranties applicable to Jacuzzi Luxury Bath products except as expressly stated herein or as implied by applicable state and federal laws. The Company will not be responsible for any statements or representations made in any form that go beyond, are broader than or are inconsistent with any authorized literature or specifications furnished by the Company. Some states do not allow limitations on how long an implied warranty lasts, or the exclusion or limitation of incidental or consequential damages, so the above limitations and exclusions may not apply to you.

RETURN OF WARRANTY REGISTRATION OR NO WARRANTY

To register your product, please go to our website www.jacuzzi.com, click on Bath and Showers, then select ONLINE WARRANTY REGISTRATION from the top of the page. You will then be prompted to enter your product Serial Number followed by your warranty registration information. Or you may also register by completing the registration below and mailing it to Jacuzzi at the address provided below.
THE ATTACHED WARRANTY REGISTRATION MUST BE FILLED OUT BY THE PURCHASER WITHIN THIRTY (30) DAYS FROM PURCHASE AND RECEIVED BY JACUZZI LUXURY BATH IN ORDER FOR THIS WARRANTY TO BECOME EFFECTIVE.

RESPONSIBILITIES OF OTHERS

Inspecting the unit prior to installation is the responsibility of the installer or building contractor who acts on behalf of the User. They are responsible for ensuring the unit is free of defect or damage. Notices are placed on and in the unit and on the shipping carton advising the installer of this responsibility. In the event of a problem, the unit must not be installed. **THE COMPANY IS NOT RESPONSIBLE FOR FAILURES OR DAMAGE THAT COULD HAVE BEEN DISCOVERED, REPAIRED, OR AVOIDED BY PROPER INSPECTION AND TESTING (INCLUDING PROPER WATER TESTING) PRIOR TO INSTALLATION.**

Damage occurring in transit is the responsibility of the carrier. The User or installer **MUST** open the crate and inspect the unit for damage when it is delivered. If damage is discovered, it must be reported immediately to the seller and the carrier in writing, and an inspection requested. Failure of the carrier to respond should be reported to the seller and the carrier. Your freight claims should be filed promptly thereafter.

Damage occurring to the unit during installation is the responsibility of the installer and/or building contractor and damage occurring thereafter is the responsibility of the User.

Failure of any optional equipment is the sole responsibility of the equipment manufacturer except as provided above and shall not extend to or apply to any replacement parts for the Options and Accessories. Any replacement parts shall be covered by the original equipment manufacturer.

The Distributor or Dealer is responsible for knowing local code requirements and notifying the installing contractor and/or User of these requirements at the time of purchase. The Company is not responsible for costs to modify any product to obtain any code approval, such as city, county, or state building codes in U.S.A. or municipal or provincial codes in Canada.

WARRANTY SERVICE

For the User's benefit, the Company maintains a list of independent service personnel to perform required warranty service repairs. Such firms are not agents or representatives of the Company and cannot bind the Company by words or conduct.

The Company will provide the warranty service described above when the following conditions have been met: the failure is of the nature or type covered by the warranty; the User has informed an Authorized Jacuzzi Luxury Bath Service Agent or Warranty Service Department Representative of the nature of the problem during the warranty period; conclusive evidence (e.g., proof of purchase or installation) is provided to the foregoing by the user proving that the failure occurred or was discovered within the warranty period; an authorized independent service person or Company representative has been permitted to inspect the unit during regular business hours within a reasonable time after the problem was reported by the User. In order to obtain warranty service, contact Jacuzzi Luxury Bath at:

www.jacuzzi.com
 or
 Jacuzzi Luxury Bath
 Warranty Service Department
 14525 Monte Vista Avenue
 Chino, California 91710
 Call: 1-(800) 288-4002

To obtain warranty replacement for factory-installed components for Company supplied options and accessories manufactured and supplied by the Company, call or write the above. Provide a description of the problem and proof of purchase. You will be instructed how to obtain replacements and where to return, at your expense, the failed component(s), option(s), or accessory(ies).

All replacement parts, equipment, and repairs shall assume the remaining warranty period of the part(s) replaced.

The Company's warranty obligation shall be discharged upon tender of replacement or repair. The customer's refusal to accept the tender terminates the Company's warranty obligation.

Ninety-Day
Parts Only
Limited Warranty
On
Accessory(ies)



Notes:



Jacuzzi Luxury Bath
14525 Monte Vista Avenue
Chino, California 91710



WARRANTY REGISTRATION CARD

To complete your registration, visit our website at www.jacuzzi.com/baths/support/warranty-registration or fill out and mail this card to the address printed on the other side within thirty (30) days from date of purchase in order for this warranty to become effective.



Purchaser's Name _____
Purchaser's Address _____
City _____ State ___ Zip _____
Home Phone _____ Cell Phone _____
Email _____
Date of Purchase _____
Model Name _____
Serial Number _____
Dealer's Name _____
Dealer's Address _____

- 1. How did you first hear about this Jacuzzi® product?
2. Who first gave you specific information about this product (specifications, prices, etc.)?
3. What was the main reason for purchase?
4. Who finally decided which product you would buy?
5. Who installed?
6. What is the current market value of this property?
7. What is the age of the head of the household?
8. What other manufacturers did you consider?
9. How long did you shop before purchasing unit?
10. Approximately how long have you lived in this home?
11. Please indicate, approximately, the total annual income of your household.
12. Was your purchase process?
13. How technically aware were you of the Jacuzzi® Jet system prior to your purchase?

Ninety-Day
Parts Only
Limited Warranty
On
Accessory(ies)