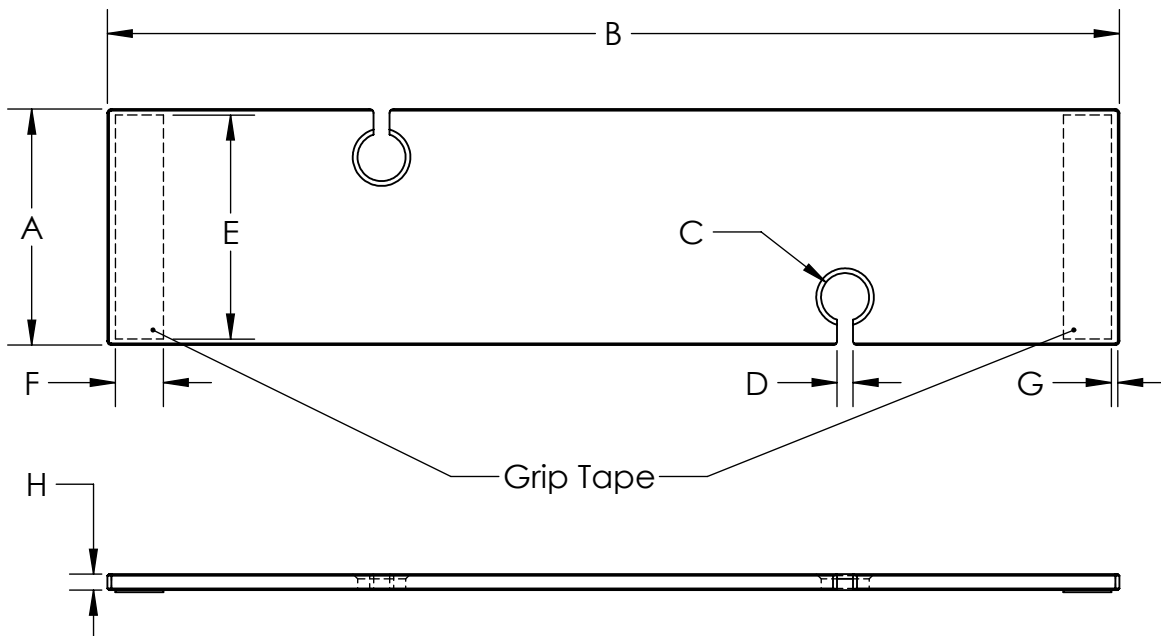
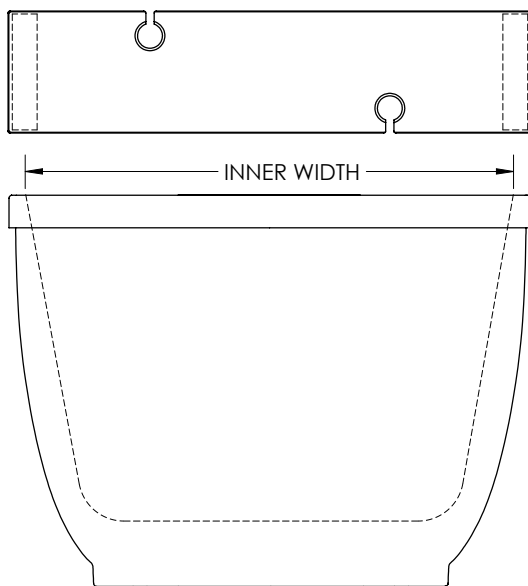


**Bath Caddy Tray**

Letter	Description	Dimension
A	Length	7.375"
B	Width	31.625"
C	Cutout Diameter	1.56"
D	Cutout Opening	0.5"
E	Length (Grip Tape)	7"
F	Width (Grip Tape)	1.5"
G	Grip Tape Spacing	0.25"
H	Thickness	0.5"

**KEY DIMENSIONS\* [NOTE: The overall dimensions are nominal with a tolerance of +0 and -.25" (6mm).]**

**BATH CADDY TRAY FITMENT GUIDE**


To determine if the Bath Caddy Tray will be compatible with your bathtub you will need to determine the inner width of the deck of your bathtub. Ensure that the inner width of the deck of your bathtub is within the range of the non-slip grip tape, 28.125"-31.125"

If the location of the non-slip grip tape on the Bath Caddy Tray does not allow for placement on your bathtub it is possible to relocate the non-slip grip tape. Remove the non-slip grip tape by slowly peeling it off, starting at the short end. Replace the non-slip grip tape in the desired location by firmly placing into place. Flip the Bath Caddy Tray over and allow the Bath Caddy Tray to rest on the non-slip grip tape for 72 hours for best results.

©2019 Jacuzzi Luxury Bath • For additional information, call Customer Service 800-288-4002 • [www.jacuzzi.com/baths](http://www.jacuzzi.com/baths)  
Refer to installation instructions included with fixture before beginning installation. Please confirm product availability and specifications before commencing with any installation work.

PRODUCT SPECIFICATIONS AND AVAILABILITY ARE SUBJECT TO CHANGE WITHOUT NOTICE