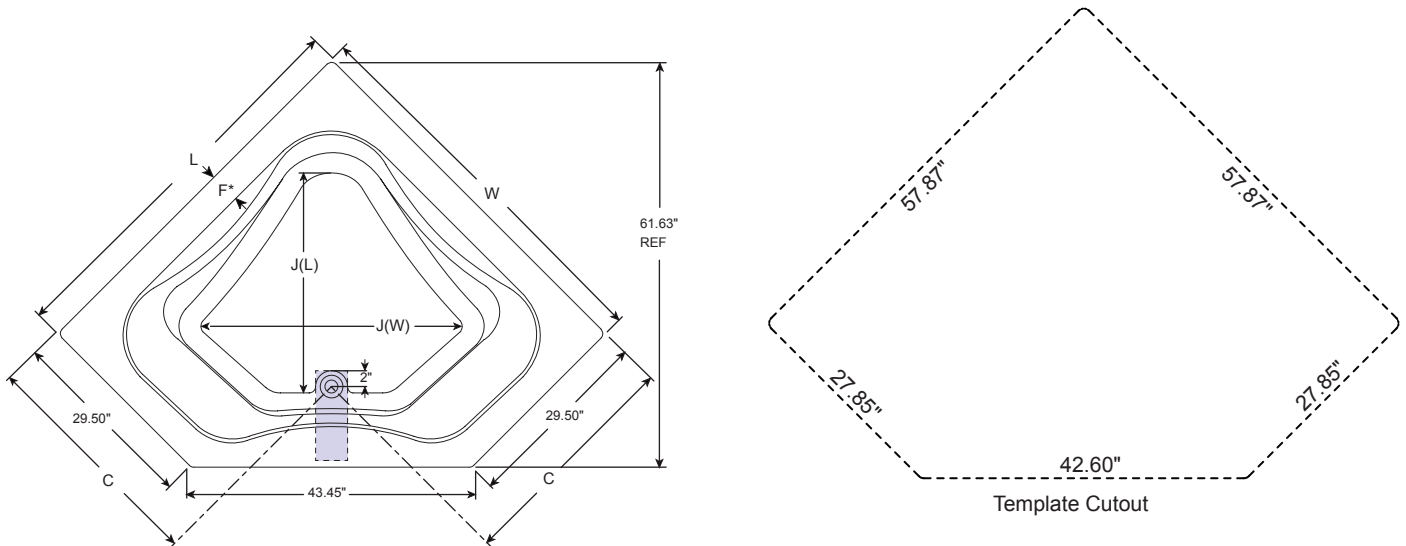
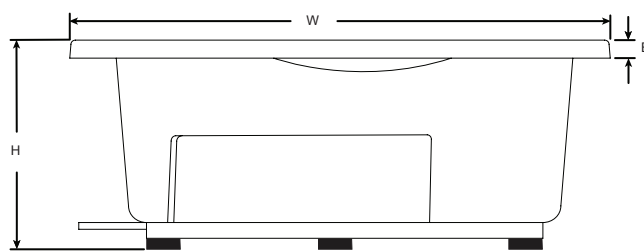


6060 Corner Soaking Bathtub

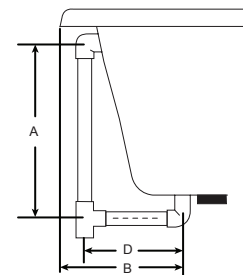
Letter	Description	English	Metric
-	Drain Location	Center	
-	Cutout	See Below	
-	Total Weight	1042 lbs	473 kg
-	Floor Loading	41.7lb/ft ²	204 kg/m ²
-	Operating Gallons (Min/Max)	86 gal	326 L
-	Product Weight	76 lbs	34 kg
L	Outer Length	60.00"	1524 mm
W	Outer Width	60.00"	1524 mm
H	Overall Height	21.00"	533 mm
A	Overflow Height	17.50"	445 mm
B	Short Edge to Drain Center	12.50"	318 mm
C	Long Edge to Drain Center	35.75"	908 mm
D	Drain Shoe Length	7.00"	178 mm
E	Deck Height	2.00"	51 mm
F	Deck Width	5.00"	127 mm
I	Floor Cutout for Drain	12.00" x 4.00"	305 mm x 102 mm
J	Interior Dimensions (W x L)	48.00" x 39.00"	1213 mm x 991 mm

Key Dimensions


*Deck width reflects only area indicated on detail.



End View



Drain/Overflow

NOTE: Drawings not to scale.