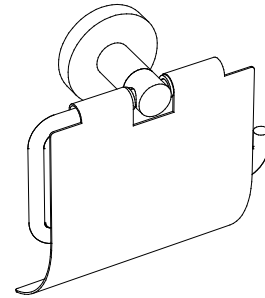




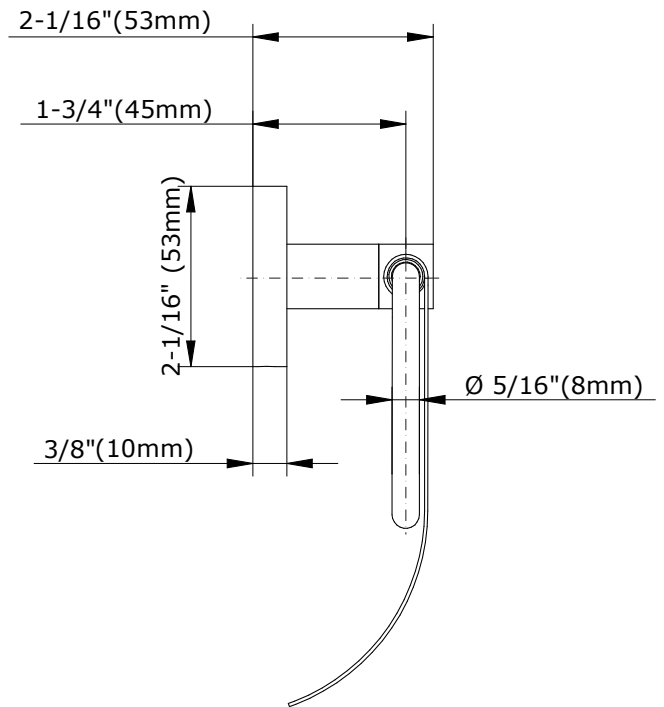
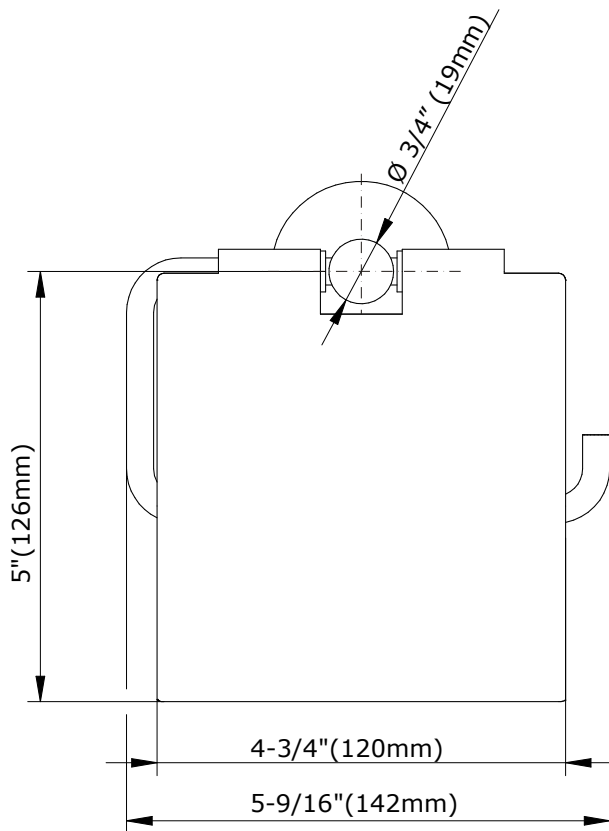
specifications

WARRANTY
1 Year Warranty



SALONE™ Tissue Holder

MODEL	FINISH
PK09827	Polished Chrome
PK09826	Brushed Nickel



INSTALLATION DIMENSIONS

Jacuzzi Luxury Bath reserves the right to make changes in specifications and materials and to change and discontinue models, both without notice or obligation. Dimensions are for reference only.