

Linea[®] 6036 Skirted Bathtub - Pure Air[®]

Letter	Description	Pure Air [®]
-	Drain Location	Left Hand / Right Hand
-	Blower Location	Opposite end of drain location
-	Cutout Template	N/A
-	Total Weight	842 lb (381 kg)
-	Floor Loading	56 lb/ft ² (274 kg/m ²)
-	Operating Gallons (Min/Max)	40 Gal / 62 Gal (151 L x 235 L)
-	Product Weight - Empty	76 lb (34 kg)
-	Soaking Depth	15.00" (381 mm)
L	Outer Length	60.00" (1524 mm)
W	Outer Width	36.00" (914 mm)
H	Overall Height	19.50" (495 mm)
J	Interior Dimensions (JW x JL) Bottom of Bath	27.00" x 45.00" (686 mm x 1143 mm)
K	Interior Dimensions (KW x KL) Top of Bath	27.13" x 52.13" (689 mm x 1324 mm)
L2	Interior Depth - Drain End	18.00" (457 mm)
A	Overflow Height	17.50" (445 mm)
B	Long Edge to Drain Center	9.00" (229 mm)
C	Short Edge to Drain Center	18.00" (457 mm)
D	Drain Shoe Length	6.75" (171 mm)
E	Flange Height	1.25" (32 mm)
F	Deck Width *	3.50" (89 mm)
G	Service Access Dimensions	No Service Access
I	Floor Cutout for Drain	12.00" x 4.00" (305 mm x 102mm)
M	Backrest Angle	23°

NOTE

The overall dimensions are nominal with a tolerance of +0 and -.25" (6mm).

Electrical Specifications
(Each component requires a separate, dedicated GFCI protected circuit)

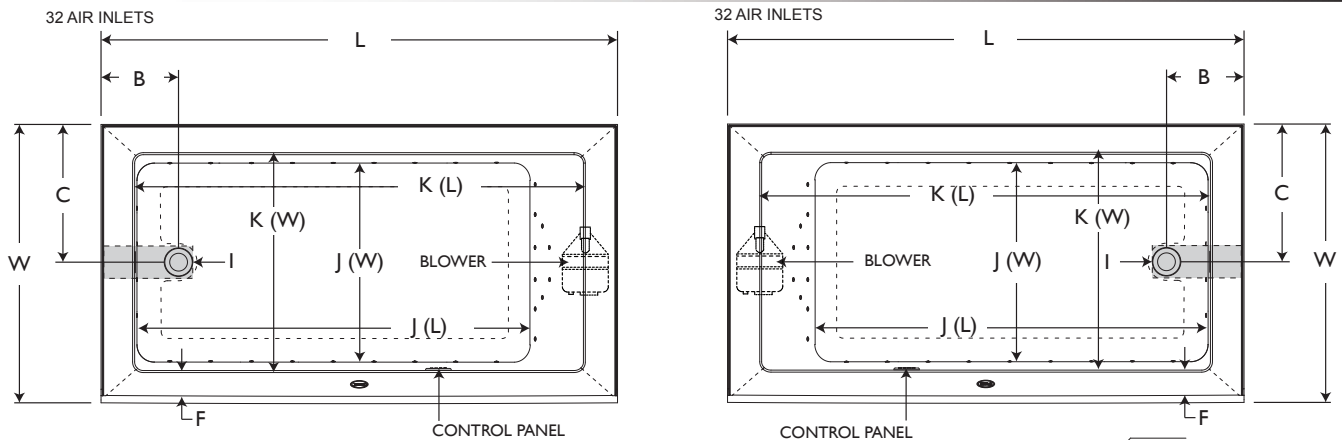
Blower 120V 15A 60HZ

Drain Kit:

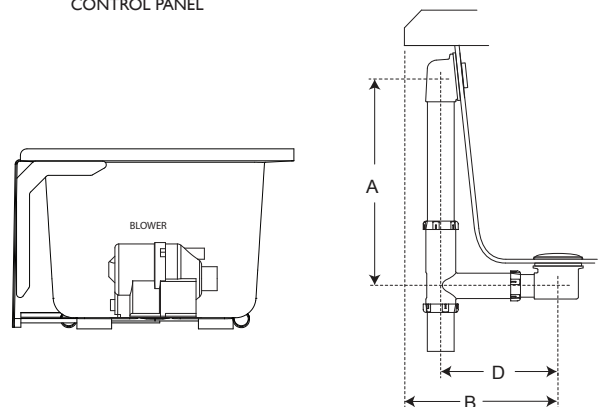
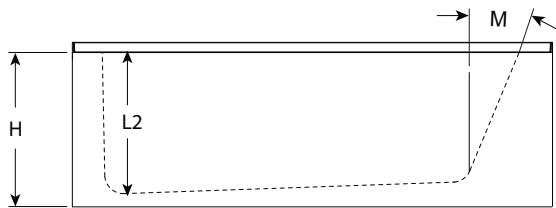
Must purchase one of the following:

- MF35824- Linear DWO Kit PN
- MF35826- Linear DWO Kit BN
- MF35827- Linear DWO Kit CHR
- MF35845- Linear DWO Kit ORB
- MF35959- Linear DWO Kit WHT

Key Dimensions



*Deck width reflects only area indicated on detail.



NOTE: Drawings not to scale.

©2017 Jacuzzi Luxury Bath • For additional information call Customer Service 800-288-4002 • www.jacuzzi.com/baths/

Refer to installation instructions included with fixture before beginning installation. Please confirm product availability and specifications before commencing with any installation work.

PRODUCT SPECIFICATIONS AND AVAILABILITY ARE SUBJECT TO CHANGE WITHOUT NOTICE.