

## TECHNICAL SPECIFICATIONS



### Cetra® 532 Bath with Integral Skirt

CTS6032 BRX XXX	Cetra 532 Bath with Integral Skirt, Right Hand (H581)
CTS6032 BLX XXX	Cetra 532 Bath with Integral Skirt, Left Hand (H527)

#### INSTALLATION NOTES

Refer to installation instructions included with fixture before beginning installation. Please confirm product availability and specifications before commencing with any installation work.

PRODUCT SPECIFICATIONS AND AVAILABILITY ARE SUBJECT TO CHANGE WITHOUT NOTICE.

## KEY DIMENSIONS

Technical Specifications

#### DIMENSIONS

60" L x 32" W x 20-1/2" H

(1524 mm) L x (813 mm) W x (521 mm) H

#### DRAIN/OVERFLOW

A: 17-7/8" (454 mm) B: 9-3/8" (238 mm)

#### CUTOUT

58" x 30"

#### TOTAL WEIGHT

779 lb (353 kg) / 58 lb/sq. ft. (283 kg/m<sup>2</sup>)

#### OPERATING GALLONAGE

55 U.S. gal (200 liters)

#### PRODUCT WEIGHT

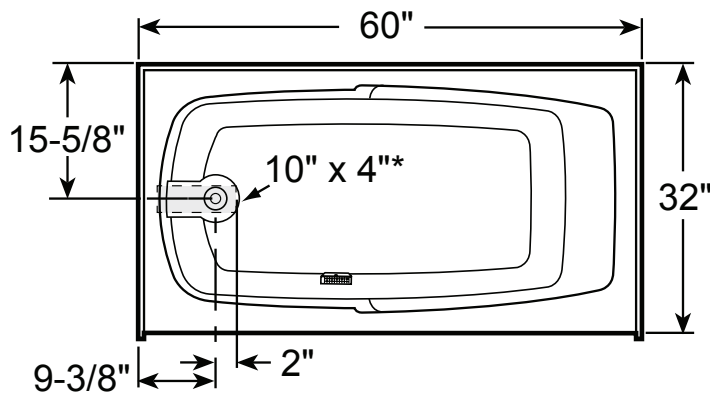
71 lb (32 kg)

#### SKIRT MOUNTING

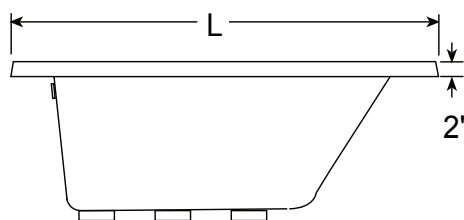
Integral

## FEATURES, UPGRADES & ACCESSORIES

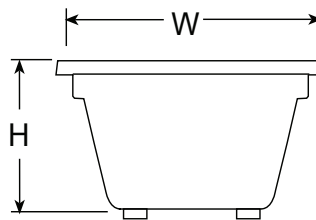
- Right and Left Hand Drain Location
- Accessories / Hardware:
  - Trip-Lever Drain Kit: #X559
  - Rotary Drain Kit, 26" Cable: #8730
- Trim Kit Finishes Available:
  - (827) – Chrome
  - (898) – Brushed Chrome
  - (815) – Satin Nickel
  - (829) – Bright Brass
  - (805) – Platinum
  - (826) – Brushed Nickel
  - (849) – Oil Rubbed Bronze



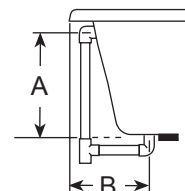
Product Shown: Cetra 532 Bath with Integral Skirt Left Hand  
Model: H527 \* Measurements inside unit represent cutout in floor to allow for drain/overflow.



SIDE VIEW



END VIEW



DRAIN/OVERFLOW