



# specifications

## FEATURES

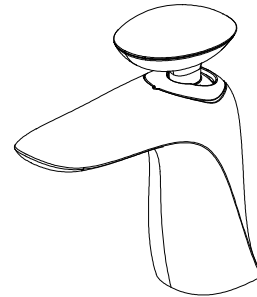
- Ceramic Cartridge
- Requires 1-Hole (or 3-Hole) Sink with 4" On-Center
- 3/8" IPS connections
- Max Flow Rate: 1.5 GPM at 60 PSI

## CODE COMPLIANCE

- ASME A112.18.1 / CSA B125.1
- NSF 61 Section 9
- IAPMO Certified
- Meets AB 1953 Lead Standard
- Watersense

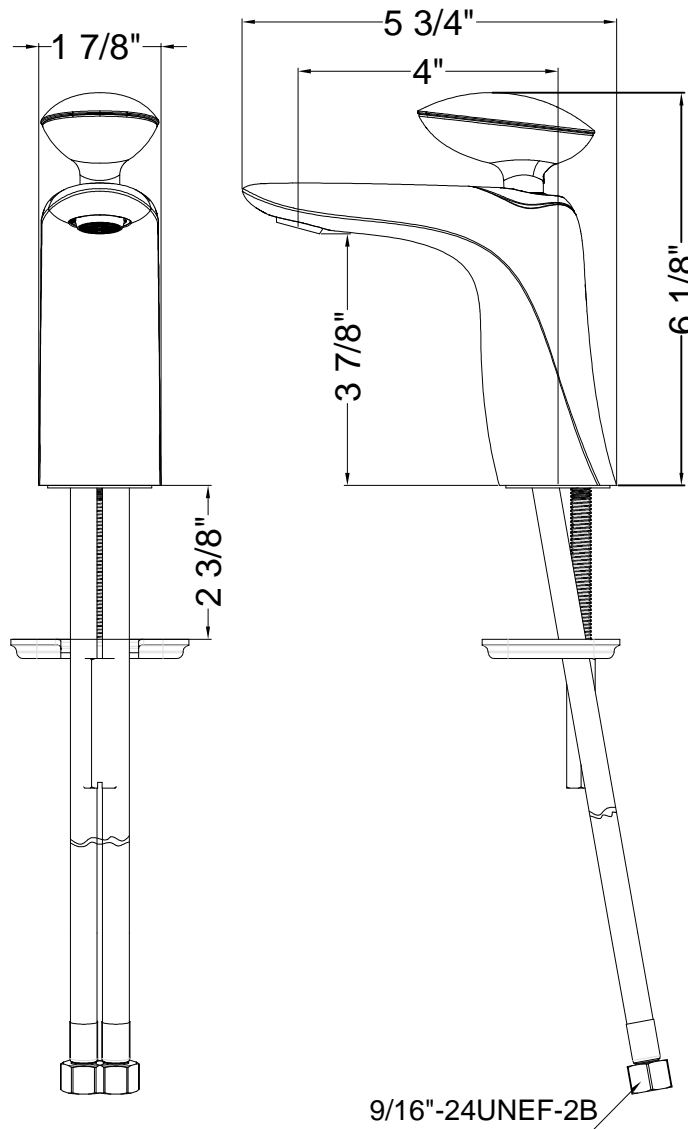
## WARRANTY

- Limited Lifetime Warranty



Single Handle Lavatory Faucet

MODEL	FINISH
0703854	Chrome Finish



## INSTALLATION DIMENSIONS