

Sette™ 270

CONICAL BURR GRINDER

INTRODUCTION

Thank you for purchasing the Sette Conical Burr Coffee Grinder. With the Sette, it's now easier than ever to make a delicious cup of coffee.

Below are detailed descriptions of the features that make the Sette stand out from other grinders in its class.

Conical Burrs

Manufactured in Liechtenstein, the 40mm conical burrs grind coffee at 3.5g to 5.5g/sec. depending on the setting. These conical burrs are durable and will remain sharp for many years. The adjustment mechanism provides precise burr alignment ensuring accurate grinding.

Grind Adjustment

The Sette has 31 macro adjustment steps, grinding from espresso to manual brew. A stepless micro adjust with 9 indicators allows the user to accurately dial in a perfect espresso. The macro/micro mechanism is directly connected to the cone burr resulting in immediate and true grind adjustment.

Digital Control Panel

The front mounted control panel with backlit LED display is user friendly. Three programmable buttons allow for grind time settings within 0.01 seconds. Simply press the START button and the Sette automatically delivers precise dosing.

Convertible Device Holder

A built-in convertible holder allows you to grind directly into your portafilter, the supplied grounds bin, or most of the popular brewing devices (Hario, Clever, Able Kone, AeroPress®) – a standout feature amongst all other home grinders. The Sette's grounds bin is made from an anti-static plastic, with a molded spout for easy pouring into your preferred brewing device. The adjustable portafilter arms can accommodate most sizes of portafilter and includes an integrated hook for stability.



TABLE OF CONTENTS

INTRODUCTION	1
TABLE OF CONTENTS	2
SAFETY INFORMATION	3
PARTS IDENTIFICATION	4
OPERATION	5
Before Using Your Grinder	5
Initial Setup	5
Hopper Installation	5
Adjusting the Convertible Device Arms	5
Adjusting the Portafilter Hook	5
Setting the Grind Control	6
Time Based Grinding Operation	7
CARE AND CLEANING	8
Removing the Bean Hopper	8
Removing the Ring Burr/Adjustment Collar Assembly	8
Reinstalling the Ring Burr/Adjustment Collar Assembly	9
Cleaning the Grounds Bin, Hopper and Burrs	10
Cleaning a Clogged Grinder	10
Automatic Cleaning	10
Recalibrating/Shimming the Cone Burr	11
WARRANTY AND SERVICE	12
US and Canadian Warranty Information	12
International Warranty Information	12
Proof of Purchase and Product Registration	12
Information on Repair or Questions	12

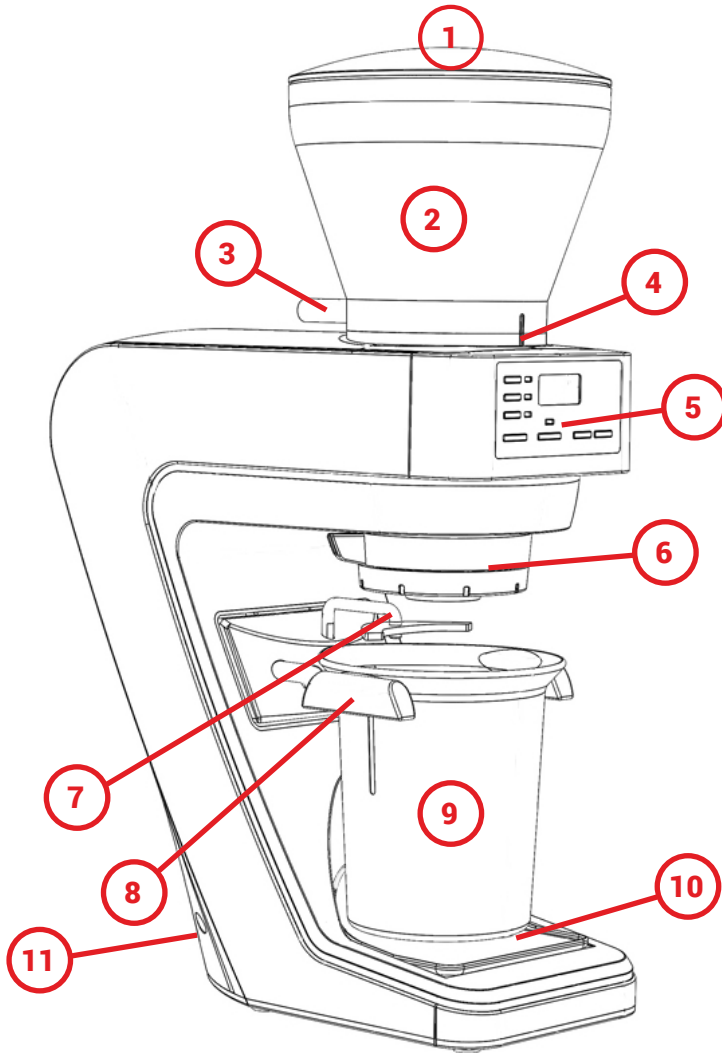
SAFETY INFORMATION

Please read the information below very carefully. It contains important safety information for this appliance. Please keep these instructions for future reference.

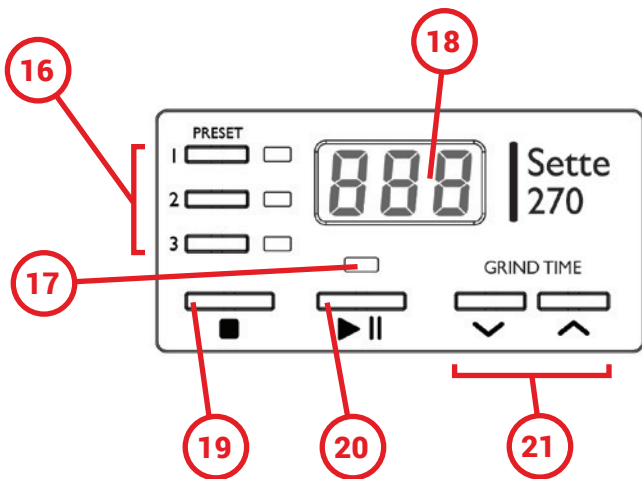
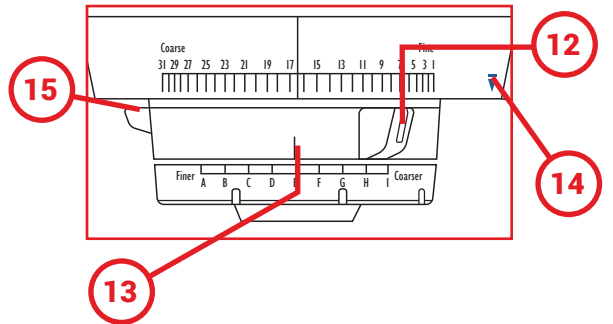
- ! Use only with AC current and the correct voltage. See the label on the base of the grinder to determine the correct voltage.
- ! Only clean the grinder housing with a dry or slightly damp cloth. Do not immerse the grinder, plug or cord in water or any other liquid.
- ! Baratza will not accept any liability for damage, injury, or warranty if the grinder is used other than for its intended purpose (i.e. grinding roasted whole coffee beans) or is improperly operated or repaired.
- ! This appliance can be used by children aged from 8 years and above and persons with reduced physical, sensory or mental capabilities or lack of experience and knowledge if they have been given supervision or instruction concerning use of the appliance in a safe way and understand the hazards involved.
- ! If the supply cord is damaged, it must be replaced by the manufacturer, its service agent or similarly qualified persons in order to avoid a hazard.
- ! Always unplug the electrical supply cord before assembling, disassembling or cleaning the grinder.
- ! To unplug, grasp plug and remove from the outlet. Never pull on the cord.
- ! Keep the appliance and its cord out of reach of children aged less than 8 years.
- ! Do not leave your grinder unattended while turned ON.
- ! Cleaning and user maintenance shall not be done by children without supervision.
- ! Do not operate the grinder with a damaged cord or plug.

CAUTION: ALWAYS unplug the electrical supply cord prior to cleaning the grinder.

PART IDENTIFICATION



1. Hopper Lid
2. Bean Hopper
3. Bean Shutoff Knob
4. Hopper Alignment Indicator
5. Control Panel
6. Grind Adjustment Assembly
7. Adjustable Portafilter Hook
8. Convertible Device Arms
9. Grounds Bin
10. Removable Grounds Tray
11. Power Cord
12. Macro Adjust
13. Stepless Micro Adjust
14. Installation/Removal Indicator
15. Installation/Removal Tab



16. Memory Preset Buttons & Indicators
17. Grinding Indicators
18. LCD Display
19. Stop
20. Start/Pause
21. Grind Time Adjustment Buttons

OPERATION

BEFORE USING YOUR GRINDER

Prior to using your Sette grinder for the first time, you should wash the bean hopper and grounds bin in warm soapy water. **Do not wash the grind adjustment assembly or burr.** See the section on Care and Cleaning for instruction on how to remove and reinstall these parts. There may be some rust on the burrs when you receive your grinder. This is normal and will disappear after a small amount of coffee has been ground. To remove the rust and season the burrs, grind one handful of coffee beans, on a coarse setting (#20), and discard.

INITIAL SETUP

Place the Sette on a level surface and plug the power cord into the back port on the machine. Plug the cord into a correct voltage AC outlet only.

HOPPER INSTALLATION

With the hopper lid in place, mount the hopper by lining up the hopper's bean shutoff knob at the 11:00 position (back left). Press the hopper down, and rotate clockwise until the alignment tabs on the front are aligned. Flip the bean shutoff knob to the "open" position and pour in desired quantity of roasted, whole coffee beans.



ADJUSTING THE CONVERTIBLE DEVICE ARMS & PORTAFILTER HOOK:

The convertible device arms that hold the grounds bin can also be used to hold most popular brewing devices such as V60, AeroPress, Clever, and Able Kone. To convert to the portafilter holder position, push in on the right arm and swing it down and to the left (fig. A). To return to original position, push in on the right arm and rotate to the right and up (fig. B). The left arm will automatically move into position.

When grinding directly into a portafilter, you must first convert the arms to portafilter holder position and swing the hook to the front. The hook is designed to support the top lip of your portafilter while the arms support the bottom of your portafilter. It is imperative that your hook is adjusted so that your portafilter sits level. To adjust the hook, loosen the 2mm hex screw that sits below the hook, adjust the portafilter hook up or down, and tighten screw once in the proper position. After you have adjusted your hook, run a test grind, if your portafilter does not sit level through the grinding process, you may need to make further adjustments.

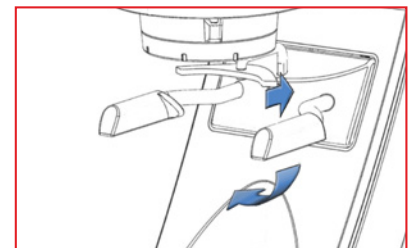


fig. A

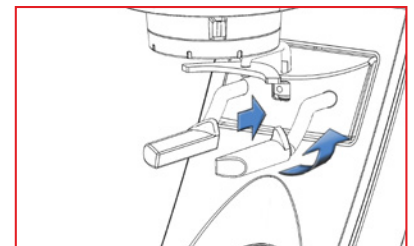


fig. B

Warning: The Sette grinds at a very high speed, be careful not to overfill your portafilter or bin! If a mound of coffee backs up into the chute it will clog the grinder. Unclogging requires thorough manual cleaning, for details, see page 8.

SETTING THE GRIND CONTROL

The Sette has two different adjustments. The macro adjust makes large adjustments from 1-31, while the stepless micro adjust allows for small adjustments to fine-tune. We always recommend the motor be on when making micro or macro grind adjustments. It's best to start with your micro adjustment at "E", and dial in the macro as close to the desired grind as possible, then adjust the micro as needed.

Below are the best practices for making accurate and repeatable grind adjustments:

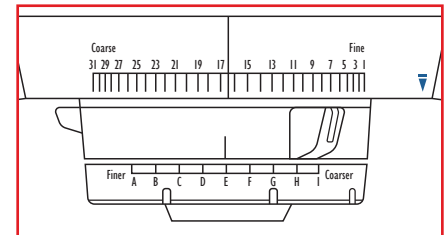
1. **Press preset 1, then the start/pause button**
2. **Rotate the macro setting until close to the desired grind size**
3. **Pull bin out and check the particle size. If the particle size is close to what you desire, use the micro setting to fine-tune**
4. **Allow 1-2 seconds more run time, and discard the ground coffee. This small amount of waste is called a purge, and is crucial in making sure all the ground coffee used is from the same setting.**
5. **Grind full dose**
6. **Brew and repeat above steps as needed**

STARTING SETTINGS

The macro settings shown in the table below can be used as a general guideline for starting points*. The actual particle size for a particular setting will vary depending on many factors including: degree of roast (light vs. dark), freshness, humidity, type of bean, oil content, etc. With use, you will determine the setting that is right for your taste, brewing style, and your favorite beans.

Espresso	AeroPress	V-60	Drip brew	Chemex
3-9	10-15	13-18	15-25	20-31

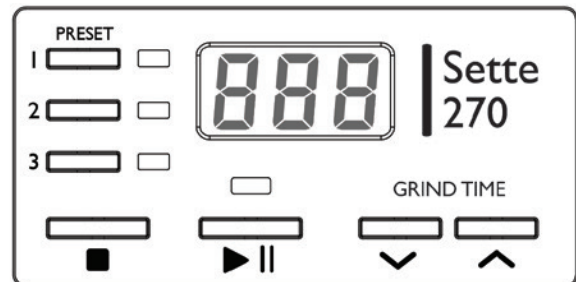
*If you find that your preferred setting is outside of this range, there is no need to be concerned, grind to your personal taste.



TIME BASED GRINDING OPERATION

Place the portafilter, grounds bin or other brewing devices on to the convertible device arms. Press a preset button (1,2,3). The screen will show the corresponding programmed grind time in seconds. Press START button to begin grinding. While grinding, the screen will count up the seconds to the target time, the green light will be illuminated, then the motor will stop and the display will reset again to the programmed time.

If you would like to stop before the cycle has completed, press the STOP button. This will turn the motor off, and reset the screen to your initially chosen grind time. However, if you would like to pause the grind without resetting to the initially chosen grind time, press the PAUSE button. This will immediately pause the machine, and the screen will flash the elapsed time. By pressing START it will continue grinding towards the desired time. To reset the grind cycle press the STOP button.



PULSE FUNCTION

The Sette 270 also has a pulse function/manual time grinding mode. To turn the grinder on in this mode, simply hold the START button for more than 2 seconds, the display will flash "--" and grinding will commence. You are now in pulse mode. The motor will continue to run as long as your finger is on the START button and will turn off when you remove your finger. To Exit this mode press STOP

PROGRAMMING

The Sette is equipped with three programmable preset buttons. The buttons are simply labeled 1,2,3. These programmable buttons only adjust the amount of time for coffee to be ground, they do not adjust the grind setting. Each button comes from the factory with the following presets: Time: 1=10s, 2=20s, 3=30s.

You can easily program more or less grinding time as follows:

1. **Select a Preset button.**
2. **Press the grind time adjustment buttons to adjust the seconds up or down as small as a hundredth of a second. If you press and hold the up or down arrow for two seconds, the numbers will speed up.**
3. **Once you have reached the desired time setting, press and hold the preset button for three seconds. The setting will blink to confirm the setting is stored.**
4. **To program the other buttons repeat steps 1-3. If the grinder is unplugged it will retain the stored settings.**

CARE AND CLEANING

REMOVING THE BEAN HOPPER

Rotate the bean shutoff knob to the CLOSED position, then press the START button to purge any remaining beans. Remove the power plug from the power outlet. Remove the hopper by rotating it counterclockwise until it stops, and then lift the bean hopper off of the grinder housing.



REMOVING THE CONE BURR/GRIND ADJUSTMENT ASSEMBLY

1. The adjustable portafilter hook must be swung to the side in order to remove the grind adjustment assembly (fig. C).
2. Rotate the bean shutoff knob so it is in the CLOSED position, then press the START button to run any remaining beans through the grinder (fig. D).
3. Once the grinder has been fully purged, rotate the grind adjustment assembly beyond the coarsest setting to the install/remove indicator (blue triangle). The assembly will release downward for removal (fig. E).



fig. C



fig. D

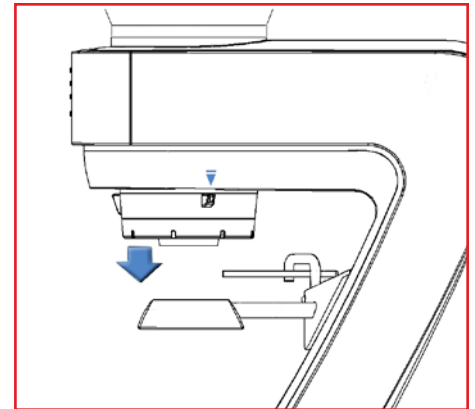


fig. E

REINSTALLING THE CONE BURR/GRIND ADJUSTMENT ASSEMBLY

1. Align the blue installation/removal indicator on the grind adjustment assembly with the blue installation/removal indicator on the right side of the machine (fig F).
2. Keeping the two blue indicators aligned, gently press up on the grind adjustment assembly and rotate the black cone burr holder (fig G) until the tabs and notches line up and the cone burr holder slides up into the machine. At this point the cone burr and holder will be inserted into the machine and no longer visible (fig H). For a video tutorial, [watch our video on youtube](#).
3. While applying upward pressure, rotate the grind adjustment assembly as shown (fig H) rotating the blue tab towards the rear of the grinder. The adjustment assembly will click as it properly engages and the black macro adjustment will be aligned with the 1-31 scale on the machine.

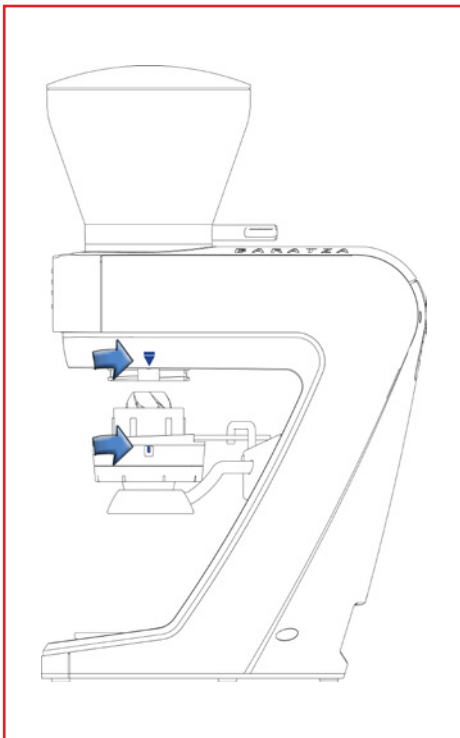


fig. F

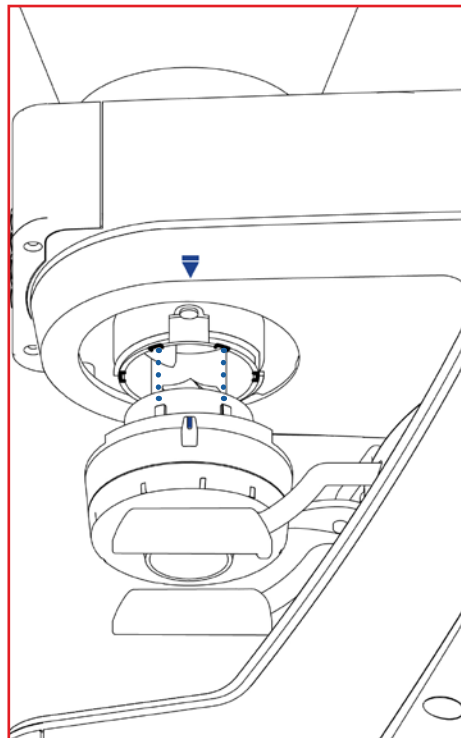


fig. G

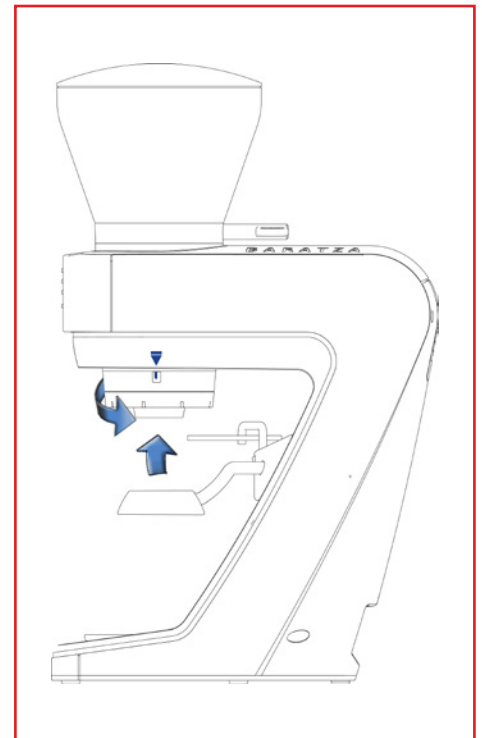


fig. H

CLEANING THE GROUNDS BIN, HOPPER AND BURRS

Wash the grounds bin, hopper, and the hopper lid in warm soapy water, then rinse and dry. **Never** wash the burrs or they will rust. If the grinder is used daily, the burrs should be cleaned every few months with a stiff brush or by using tablets (see below for Automatic Cleaning). Note that tablets will not clear a clogged grinder. If your grinder is clogged, refer to Clearing a Clogged Grinder.

Do not put the bean hopper, hopper lid, or grounds bin in the dishwasher. Hand wash only. Again, Do NOT wash the grind adjustment assembly OR BURRS in water.

CLEARING A CLOGGED GRINDER

If your grinder is not dispensing coffee normally, it could be clogged with coffee powder. This can happen if the grounds bin or portafilter is allowed to overfill and ground coffee gets backed up into the grounds chute and grinding chamber. It can also happen with the buildup of coffee powder.

Unclogging the grinder:

1. **Remove the cone burr/adjustment collar assembly (see figures C, D, and E).**
2. **Take the adjustment collar assembly in one hand and grab the cone burr and holder with your other hand. Pull or pry them apart.**
3. **The cone burr will have compacted coffee around and below it. Using a fine tool like a toothpick or chopstick, break up the compacted coffee.**
4. **Continued picking and scraping will eventually clear out the ports in the cone burr holder.**
5. **Once all six openings are clear in the cone burr holder, set it onto a flat, sturdy surface with the burr facing down. Set the adjustment collar assembly over the top and firmly press it onto the cone burr and holder.**

AUTOMATIC CLEANING

A thorough, fast, and easy cleaning can be accomplished using Full Circle™ biodegradable grinder cleaning tablets. Full Circle tablets are designed to dislodge coffee particles and absorb and remove odors and coffee oil residue. Remove all beans from the hopper and run the grinder to remove any beans inside. Place the recommended amount of Full Circle into the empty hopper. Set the macro adjust to 20, insert the grounds bin and run the grinder until empty. Grind all of the tablets into the bin. Once complete, we recommend grinding approximately 30g coffee to remove any tablet residue. Discard the ground tablets/coffee. For information on Full Circle cleaning tablets, go to www.urnex.com.

RECALIBRATING/SHIMMING THE CONE BURR:

After the first few pounds of coffee, the grind produced at the lowest setting may not be fine enough for espresso. To shift the grind range finer, a small washer (included) can be installed below the cone burr. First follow the steps in “Removing the Bean Hopper” and “Removing the Cone Burr/Grind Adjustment Assembly” (on page 8) then proceed to the steps below.

1. **Take the grind adjustment assembly in your hand, grab the cone burr and holder with your other hand and pull/pry them apart. (fig I)**
2. **Once the cone burr and holder are separated, remove the exit chute by pulling away from the cone burr holder.**
3. **With the included 5mm hex wrench, fully loosen the bolt in the bottom of the cone burr holder**
4. **Remove the cone burr from the holder. The cone burr is generally tightly affixed. To easily remove, put the 5mm hex bolt back in position but do not thread it in. Insert your 5mm hex key into the head of the bolt, and then tap the hex key against your work surface. This tactic enables the user to punch the cone burr off of the holder. (fig J)**
5. **Place one washer over the cone burr holder.**
6. **Reinstall the cone burr so that the tabs on the cone burr holder seat fully into the slots on the bottom of the burr.**
7. **Reinstall the bolt and tighten down as much as possible.**
8. **Reinstall the chute.**
9. **Set the cone burr and holder onto the counter with the burr resting on the work surface. Set the adjustment ring over the top and firmly press the adjustment assembly down onto the cone burr and holder (fig L).**

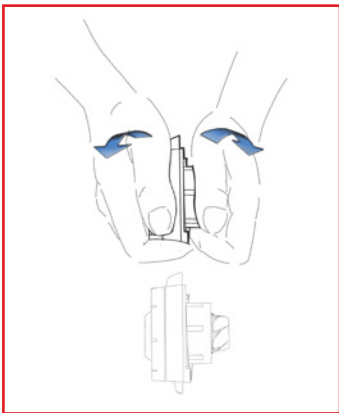


fig. I

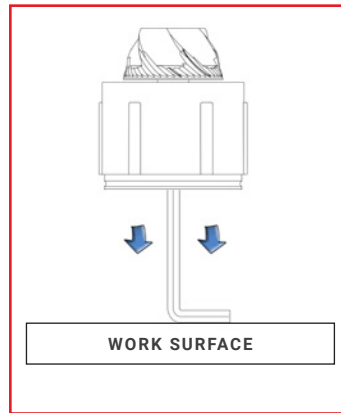


fig. J

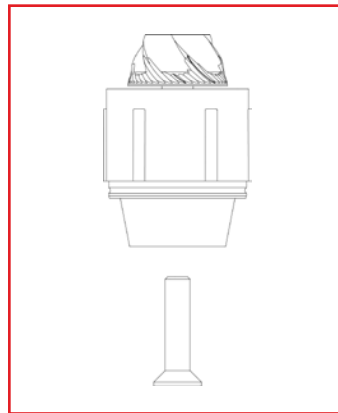


fig. K



fig. L

WARRANTY & SERVICE

U.S. AND CANADIAN WARRANTY INFORMATION

Limited Warranty for Baratza Grinders is 1 year from the original date of purchase. This warranty covers all defects in materials and workmanship (parts and labor) including free ground transportation to and from our repair facility within the US and Canada. This warranty does not apply to: improper use, lack of cleaning, abuse, normal wear and tear, lack of proper adjustment, foreign objects (stones, screws, etc.) in the beans, or uses outside the intended use of grinding whole roasted coffee beans. If your grinder fails within one year, email support@baratza.com or call 425-641-1245. For additional warranty, support, or troubleshooting information, go to www.baratza.com.

INTERNATIONAL WARRANTY INFORMATION

For all countries outside the US and Canada, the warranty, support and service is provided by the International Retailer you purchased from. To find a retailer near you go to www.baratza.com/international-importers-and-retailers.

PROOF OF PURCHASE AND PRODUCT REGISTRATION

You can register your grinder at www.baratza.com/register-your-grinder. Registration will enable us to contact you in the unlikely event of a product safety notification and assist us in complying with the provisions of the Consumer Product Safety Act. The serial number is located on the bottom of the grinders. Please keep your sales receipt that shows the date of purchase.

FOR REPAIRS OR QUESTIONS

Email: support@baratza.com

For Parts and Information go to: www.baratza.com

For Troubleshooting Videos: www.youtube.com/user/Baratzallc1